

Short description



- Fit for 4-wire and 6-wire load cells
- Easy installation
- Cast aluminium housing
- Protective coating

Available models

Model	Amount of connections	Full article description	Part number
JB01	2	JB01C-2	3001010
	3	JB01C-3	3001020
	4	JB01C-4	3001030
	6	JB01C-6	3001040
	8	JB01C-8	3001050

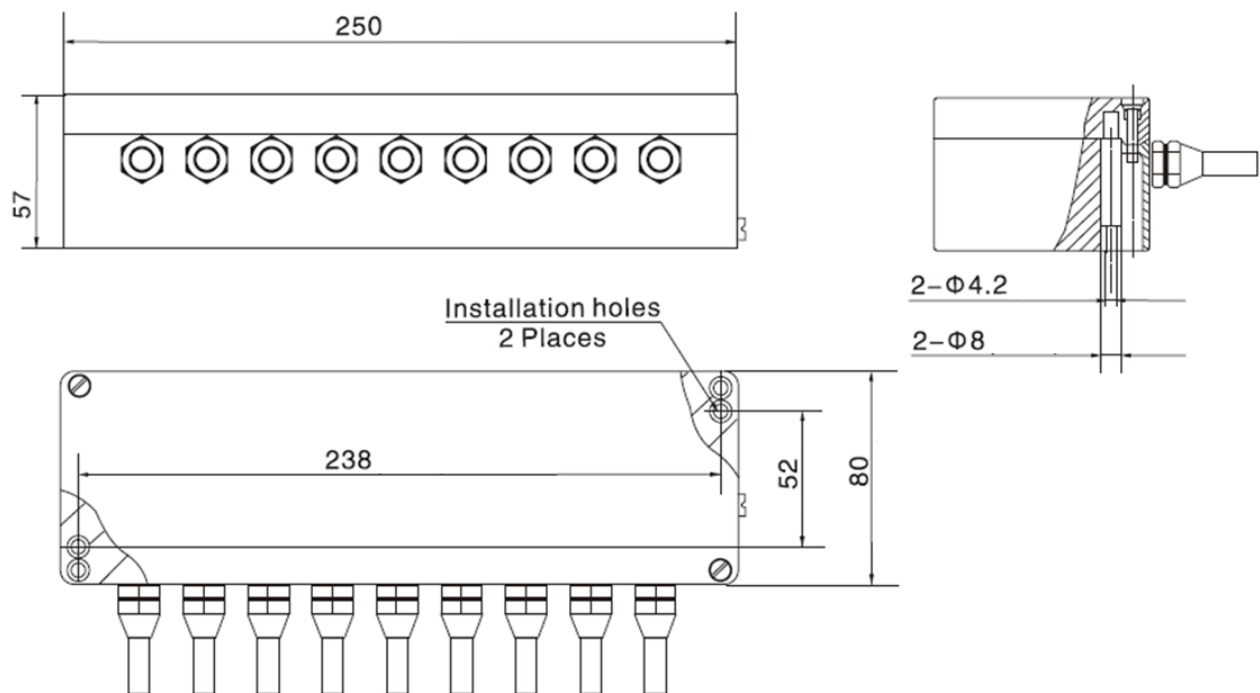
Specifications and dimensions are subject to change without notice and do not constitute any liability whatsoever.

Type JB01

Technical specifications JB01

Load cell output resistance range	Ω	340 to 1100
Load cell input resistance range	Ω	340 to 1100
Excitation, recommended voltage	V(AC&DC)	5 to 20
Excitation, maximum	V(AC&DC)	30
Load cell sensitivity range	mV/V	0.6 – 6.2
Cable \varnothing	mm	5 to 6.2
Correction method		Excitation trim
Trimming range	Ω	24
Temperature range, operating	$^{\circ}\text{C}$	-40 - + 85
Ingress protection		IP65
Housing connected to shield		Yes
External grounding		Yes

Dimensions in mm



Specifications and dimensions are subject to change without notice and do not constitute any liability whatsoever.