



Short description



- Anti-corrosion
- Easy installation
- Nickel plated alloy steel
- Can be used with Load Cell models: H8C, B8D and BM8D

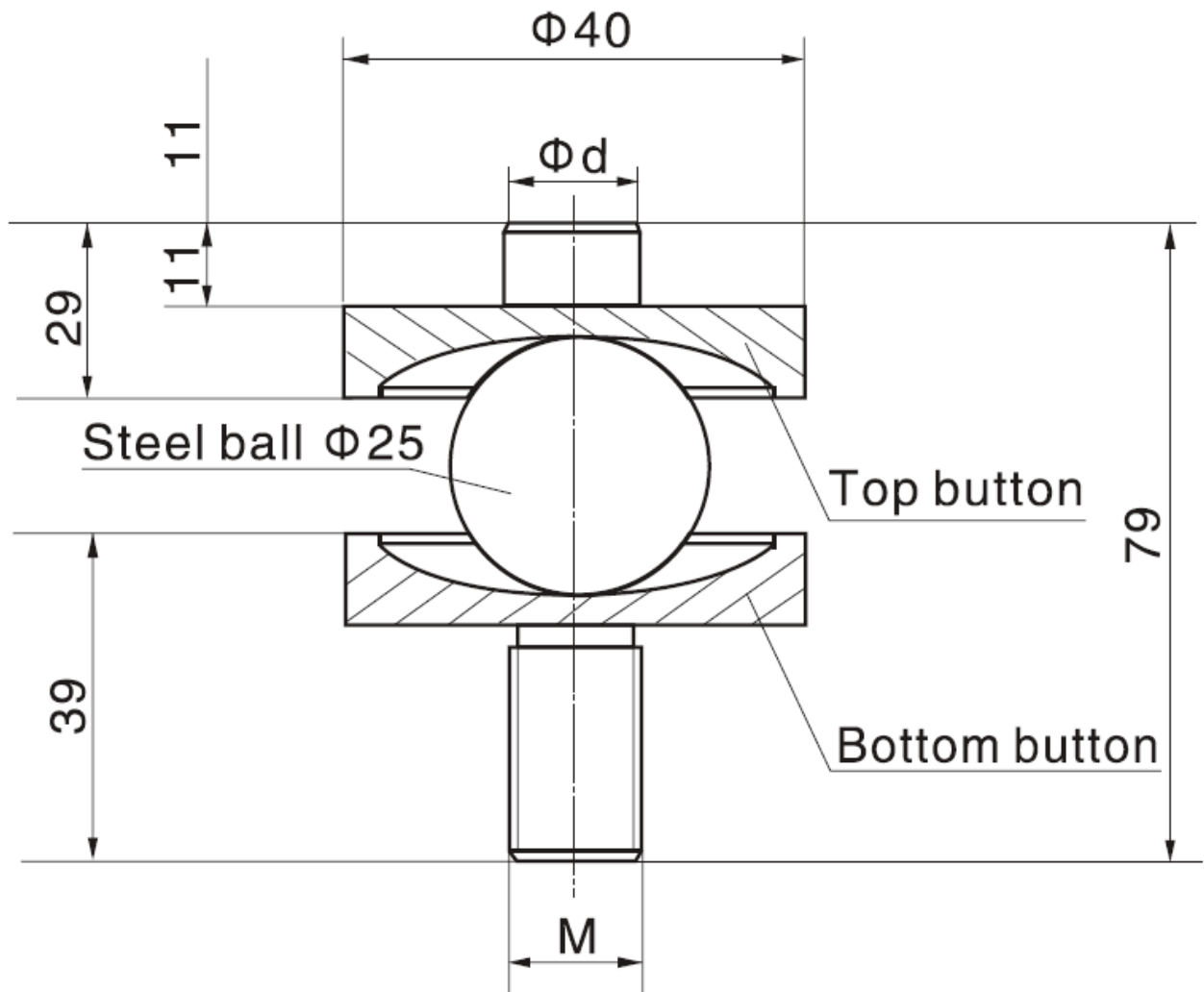
Available models

Model	Capacity	Full article description	Part number
HY-8-102	0.5t – 2t	HY-8-102-0.5/2t	2080810
	2.5t – 5t	HY-8-102-2.5/5t	2080820
	10t	HY-8-102-10t	2080830

Specifications and dimensions are subject to change without notice and do not constitute any liability whatsoever.

Type HY-8-102

Dimensions in mm (inch)

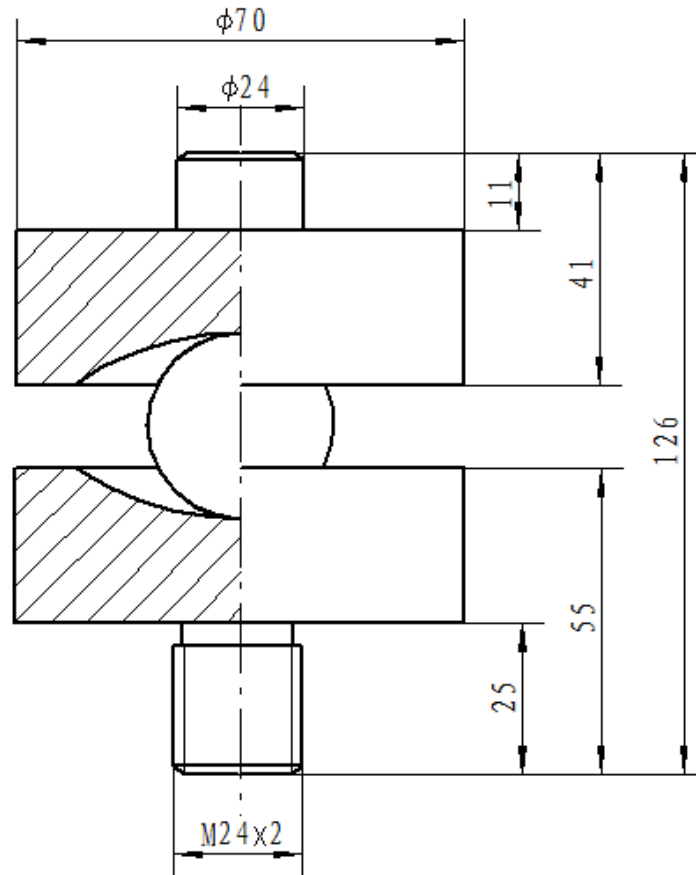


Dimension Type	Capacity	Φd	M
HY-8-102	0.5t – 2t	12	M12 x 1.75
	2.5t – 5t	18	M18 x 1.5

Specifications and dimensions are subject to change without notice and do not constitute any liability whatsoever.

Type HY-8-102

10t



Specifications and dimensions are subject to change without notice and do not constitute any liability whatsoever.