



## Short description



- Anti-corrosion
- Easy installation
- Nickel plated alloy steel
- Can be used with Load Cell models: H8 and HM8

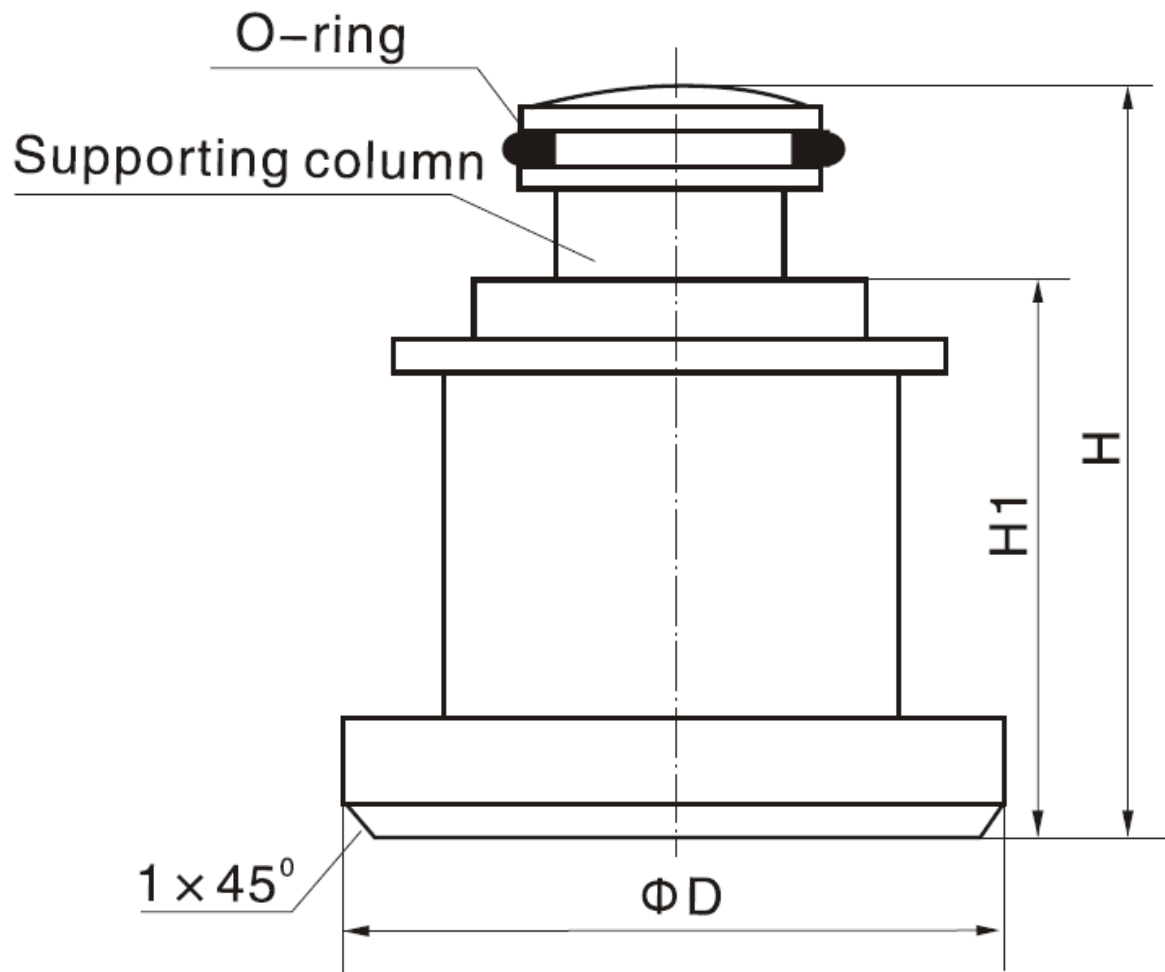
## Available models

Model	Capacity	Full article description	Part number
HY-8-101	0.5t – 3t	HY-8-101-0.5/3t	2080710
	5t	HY-8-101-5t	2080720
	10t – 15t	HY-8-101-10/15t	2080730
	20t – 25t	HY-8-101-20/25t	2080740
	30t	HY-8-101-30t	2080750
	50t	HY-8-101-50t	2080760

Specifications and dimensions are subject to change without notice and do not constitute any liability whatsoever.

# Type HY-8-101

Dimensions in mm (inch)



Dimension Type	Capacity	$\Phi D$	H	H1
HY-8-101	0.5t – 3t	35	44.9	24.9
	5t	42	56.7	34.7
	10t – 15t	57	80.7	66.7
	20t – 25t	70	85	67
	30t	70	91	70
	50t	85	102	82

Specifications and dimensions are subject to change without notice and do not constitute any liability whatsoever.