

Type HM-8-407



Short description



- Lift-off protection
- Self aligning construction
- Nickel plated alloy steel
- Rocker pin HY-8-101 not included
- Can be used with Load Cell models: H8 and HM8

Available models

Model	Capacity	Full article description	Part number
HM-8-407	0.5 – 2t	HM-8-407-0.5t/2t	2082011
	3t	HM-8-407-3t	2082015
	5t	HM-8-407-5t	2082021
	10 – 15t	HM-8-407-10/15t	2082031

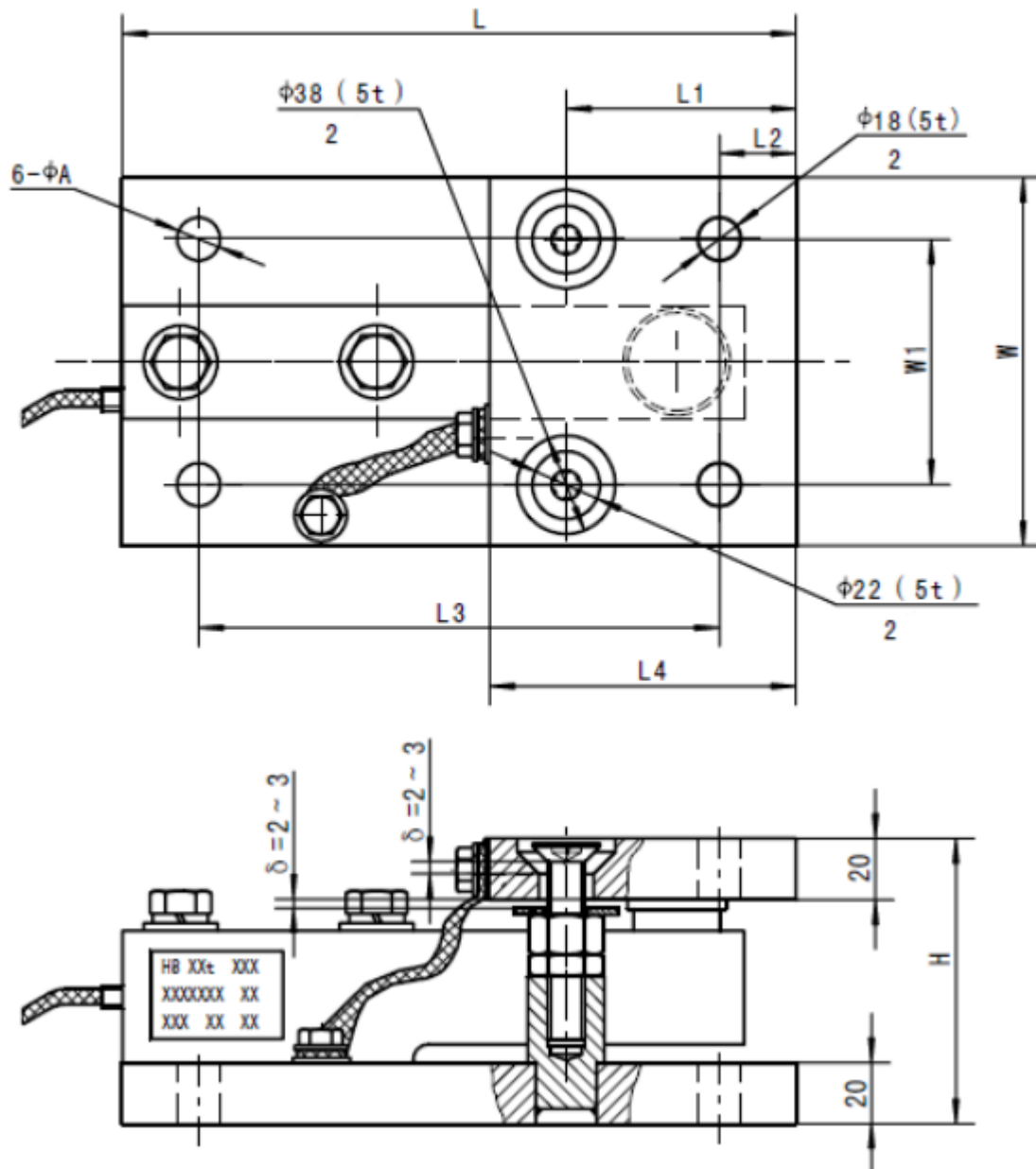
Detailed specifications HM-8-407

Capacity	0.5t – 3t	5t	10t – 15t
Maximum vertical force (down)	15 kN	30 kN	60 kN
Maximum vertical force (up)	10 kN	20 kN	40 kN
Maximum horizontal force	5 kN	10 kN	20 kN
Maximum horizontal movement	+2 / -2 mm	+2 / -2 mm	+2 / -2 mm

Specifications and dimensions are subject to change without notice and do not constitute any liability whatsoever.

Dimensions in mm

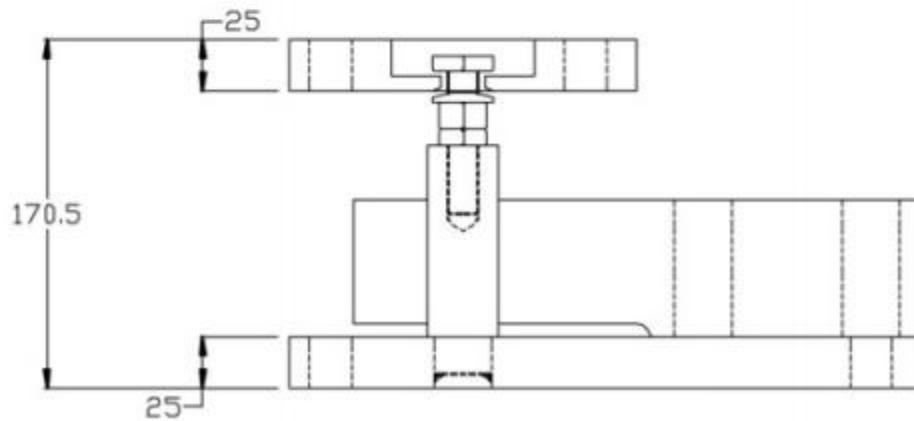
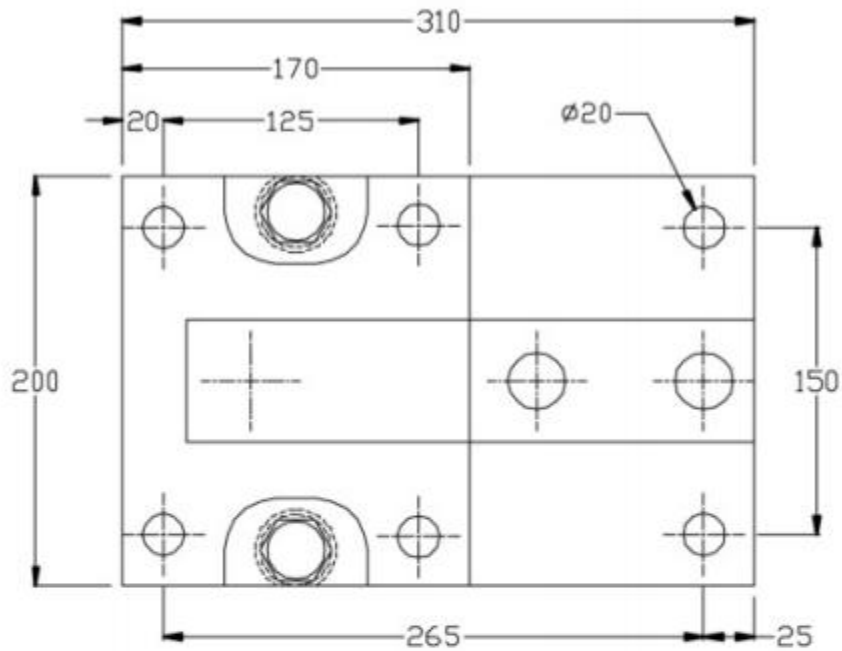
0.5 – 5 t



Dimension Capacity	L	L1	L2	L3	L4	W	W1	H	A
0.5t – 2t	220	75	25	170	100	120	80	93	14
3t	220	75	25	170	100	120	80	93	14
5t	260	95	25	210	130	150	100	111.7	18

Specifications and dimensions are subject to change without notice and do not constitute any liability whatsoever.

10-15 t



Specifications and dimensions are subject to change without notice and do not constitute any liability whatsoever.