



## Short description



- Height adjustable foot
- Easy installation
- Nickel plated alloy steel
- Can be used with Load Cell models: B8D and BM8D

## Available models

Model	Capacity	Full article description	Part number
HJ-8-221	0.5t – 2t	HJ-8-221-0.5/2t	2080650

## Detailed specifications HJ-8-221

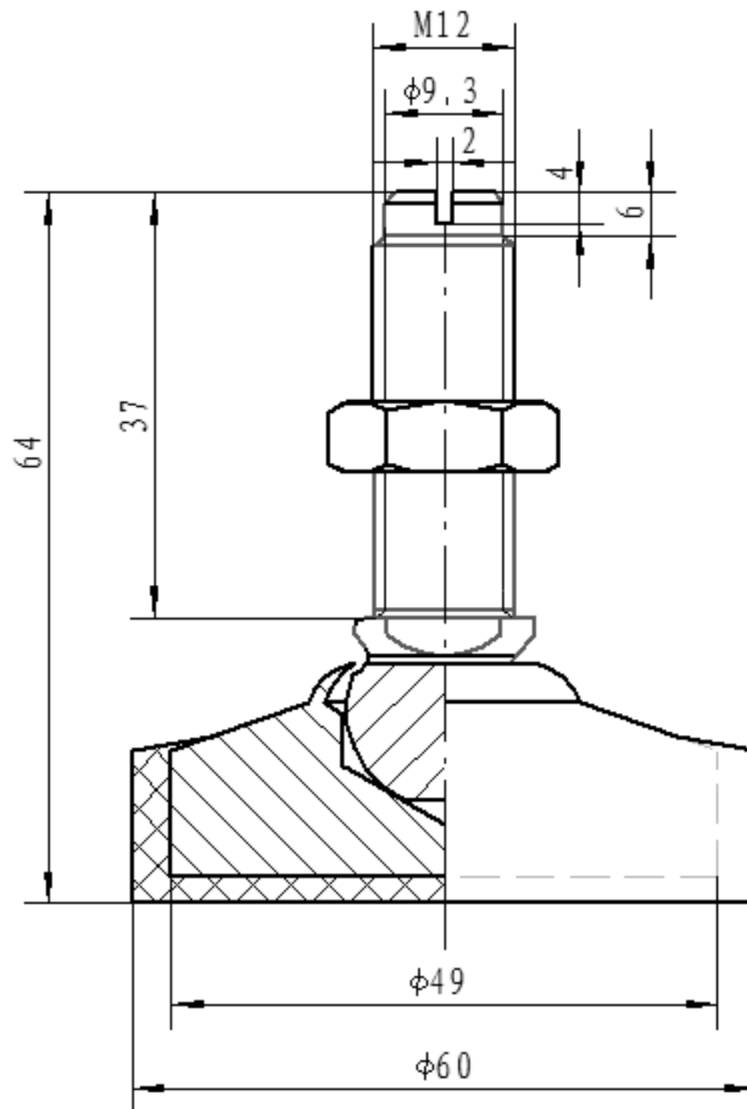
Capacity	0.5t – 2t
Maximum vertical force (down)	30kN
Maximum horizontal movement	+1 / -1 mm

Specifications and dimensions are subject to change without notice and do not constitute any liability whatsoever.

# Type HJ-8-221

Dimensions in mm (inch)

---



Specifications and dimensions are subject to change without notice and do not constitute any liability whatsoever.