



Short description



- Self aligning construction
- Easy load cell access
- Stainless steel
- Lift-off protection
- Can be used with Load Cell models: BM8H

Available models

Model	Capacity	Full article description	Part number
BM-8-411	0.5 – 1t	BM-8-411-0.5t/1t	2085048
	1.5 – 2t	BM-8-411-1.5t/2t	2085050
	5t	BM-8-411-5t	2085052

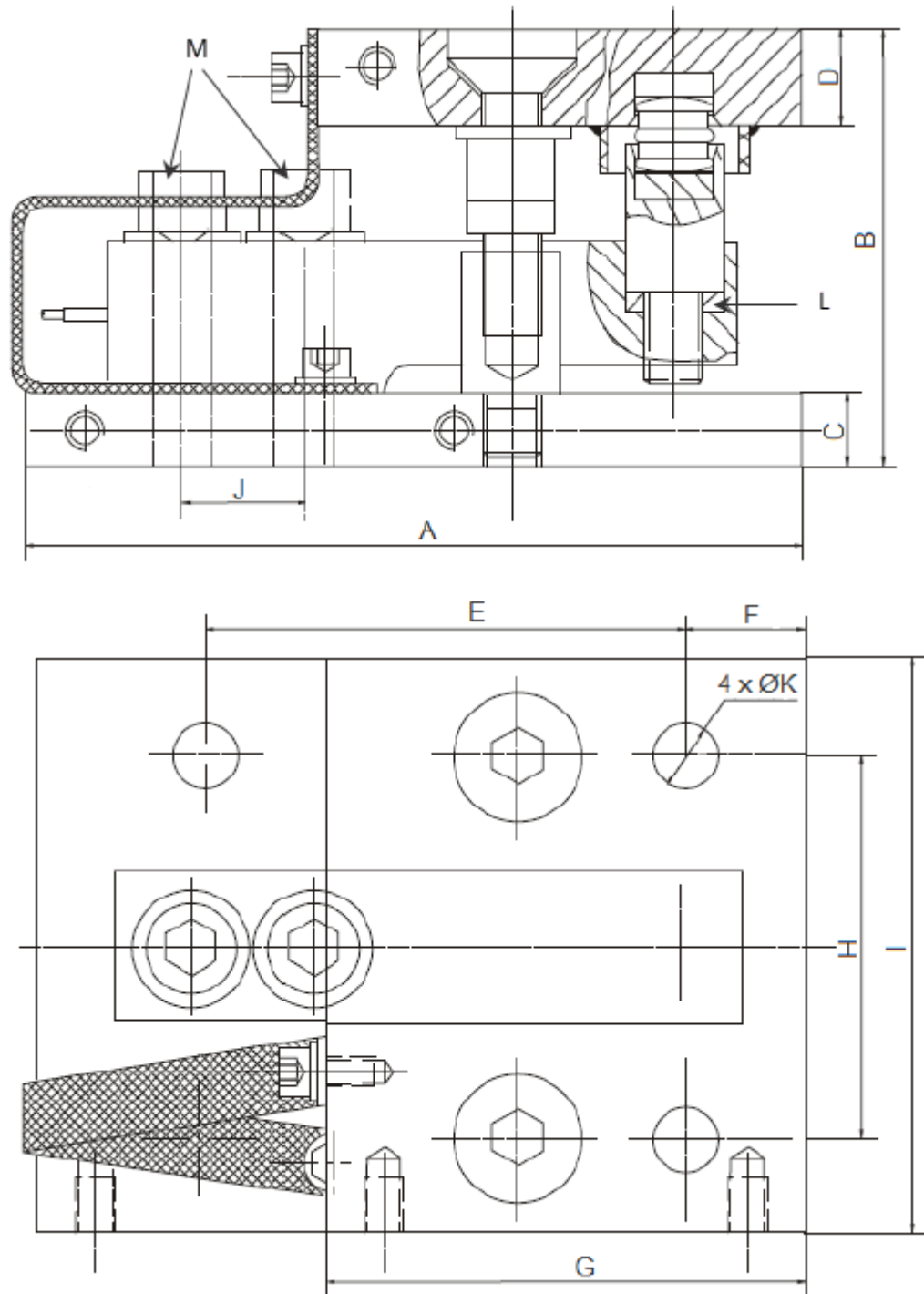
Detailed specifications BM-8-411

Capacity	0.5t – 1t	1.5t – 2t	5t
Maximum vertical force (down)	15 kN	15 kN	30 kN
Maximum vertical force (up)	10 kN	10 kN	20 kN
Maximum horizontal force	5 kN	5 kN	10 kN
Maximum horizontal movement	+2 / -2 mm	+2 / -2 mm	+2 / -2 mm

Specifications and dimensions are subject to change without notice and do not constitute any liability whatsoever.

Type BM-8-411

Dimensions in mm



Dimension Capacity	A	B	C	D	E	F	G	H	I	J	ØK	L	M
0.5t – 1t	160	90	15	20	100	25	100	80	120	25.4	14	Incl.	M12 x 45
1.5t – 2t	160	90	15	20	100	25	100	80	120	25.4	14	Excl.	M12 x 50
5t	185	125	20	20	135	25	120	100	150	38.1	18	Excl.	M20 x 65

Specifications and dimensions are subject to change without notice and do not constitute any liability whatsoever.