



## Short description



- Self aligning construction
- Easy load cell access
- Stainless steel
- Lift-off protection
- Stabilized by rod
- Can be used with Load Cell models: BM8G

## Available models

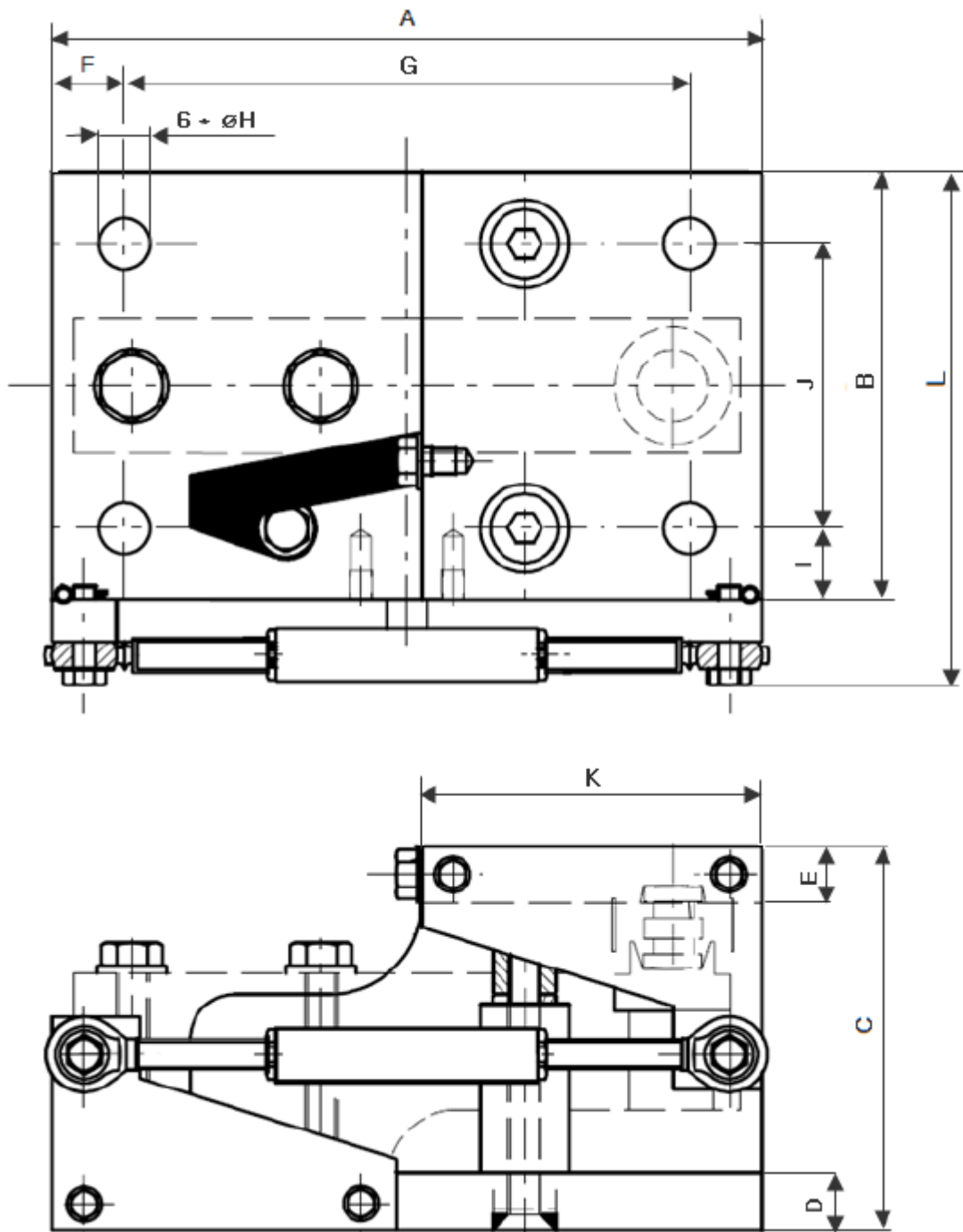
Model	Capacity	Full article description	Part number
BM-8-410	0.5 – 2t	BM-8-410-0.5t/2t	2085063
	5t – 7.5t	BM-8-410-5t/7.5t	2085064
	10t	BM-8-410-10t	2085065

## Detailed specifications BM-8-410

Capacity	0.5t – 2t	5t – 10t
Maximum vertical force (down)	15 kN	40 kN
Maximum vertical force (up)	10 kN	25 kN
Maximum force parallel to the stay rod	7.5 kN	20 kN
Maximum horizontal force	5 kN	12 kN
Maximum horizontal movement	+2 / -2 mm	+2 / -2 mm

Specifications and dimensions are subject to change without notice and do not constitute any liability whatsoever.

Dimensions in mm



Dimension Capacity	A	B	C	D	E	F	G	$\varnothing H$	I	J	K	L
0.5t – 2t	210	120	96	15	20	25	160	14	20	80	100	153
5t – 7.5t	250	150	138	20	20	25	200	18	25	100	120	186
10t	260	150	153	20	30	25	210	18	25	100	130	195

Specifications and dimensions are subject to change without notice and do not constitute any liability whatsoever.