



## Short description



- Height adjustable foot
- Easy installation
- Galvanized steel
- Elastomer foot
- Can be used with Load Cell models: BM11

## Available models

Model	Capacity	Full article description	Part number
BJ-11-220	5 – 200kg	BJ-11-220-5kg/200kg	2080205
	250 – 500kg	BJ-11-220-250/500kg	2080207

## Detailed specifications BJ-11-220

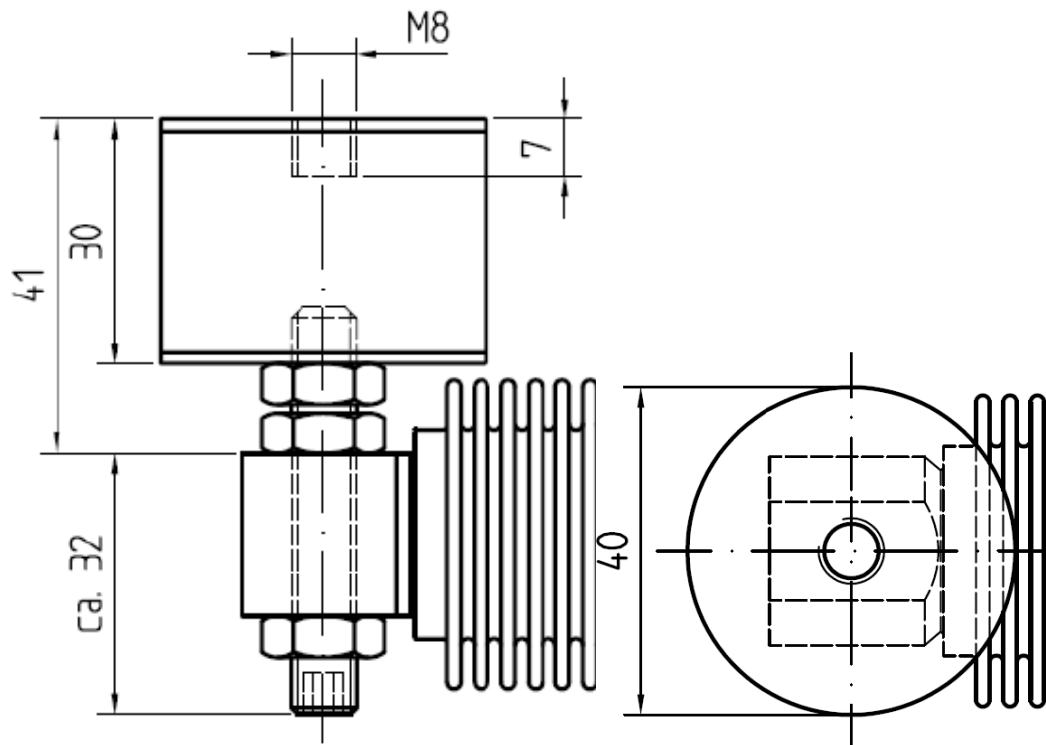
Capacity	5 – 200kg	250 – 500kg
Maximum vertical force (down)	3 kN	3 kN
Maximum vertical force (up)	0.2 kN	0.2 kN
Maximum horizontal movement	+1 / -1 mm	+1 / -1 mm

Specifications and dimensions are subject to change without notice and do not constitute any liability whatsoever.

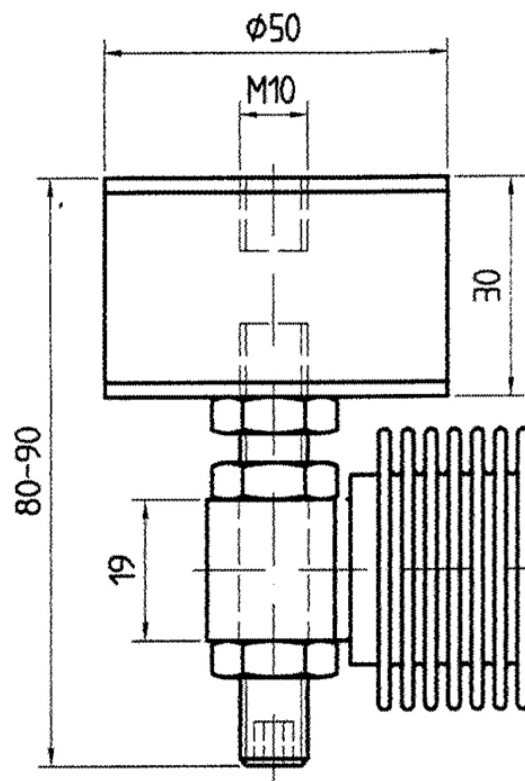
# Type BJ-11-220

Dimensions in mm

5 – 200kg



250 – 500kg



Specifications and dimensions are subject to change without notice and do not constitute any liability whatsoever.