




## Short Description



- Supports weighing systems of 1 to 4 load cells
- Fast speed, high accuracy  $\Sigma - \Delta$  A/D conversion technology
- Special anti-vibration software technology
- Suitable for electronic platform, floor and other electronic static weighing scales

 Test certificate no. R76/2006-CN1-09.01



## Available Models

Model	Amount of Connections	Full Article Description	Part Number
XK3190-A12E	1 - 4	XK3190-A12E (OIML)	80021050

Specifications and dimensions are subject to change without notice and do not constitute any liability whatsoever.

## Features XK3190-A12E

- High precision A/D conversion with readability 1/30000
- Call and display inner code to replace weight observing and analysis tolerance
- Special digital filtering technology to strengthen anti-vibration ability
- Able to set up digital filter intensity, range and stable time
- With counting function (unit weight data save protection in case of power off)
- Selectable backlight mode
- Alarm for low battery and auto-power off at low battery
- RS232 interface with selectable baud rate
- Optional of scoreboard interface sending by 20mA current loop
- Enhanced EMC design effectively eliminates EMR disturbance of power supply and outside
- Fourfold cheat-proof by both software and hardware
- Good electric safety performance
- Double power supply design to ensure independence and stability of A/D conversion

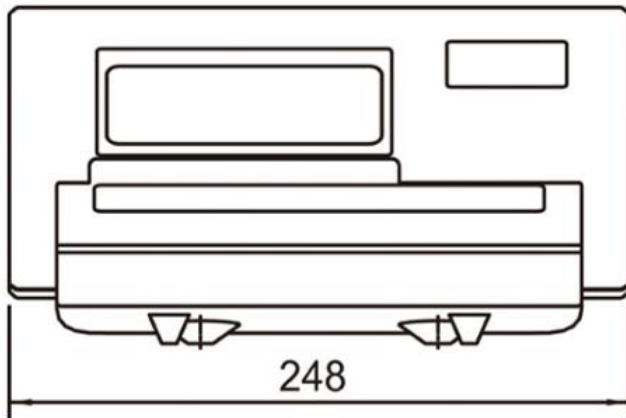
## Technical Specifications XK3190-A12E

A/D Conversion Method	$\Sigma - \Delta$
A/D Conversion Rate	10 times/second
Maximum A/D Conversion Bits	20
Input Signal Range	-10mV ~ 15mV
Input Sensitivity	$\geq 1\mu$ V/e
Load Cell Excitation	DC 5V; $I \leq 150$ mA
Maximum Connection Number of Load Cells	4 at 350 $\Omega$
Load Cell Connection Method	6-wire
Accuracy Class	C3
Verification Counts	3000
Maximum External Counts	30000
Maximum Internal Resolutions	300000
Divisions (Optional)	1/2/5/10/20/50
Display	6-digits LED, 6 status indications
Display Range	-2000 ~ 150000 (d=10)
Transmission Distance	Current loop $\leq 2000$ meters
Selectable Baud Rate	1200/2400/4800/9600
Transmission Distance for RS232C	$\leq 30$ meters
Operating Temperature	0°C ~ + 40°C
Storage Temperature	-25°C ~ + 55°C
Relative Humidity	$\leq 85\%$ RH non-condensing
Ingress Protection (acc. to EN 60529)	IP54
Power Supply (battery excluded from delivery)	AC 187~242V, 49~51Hz; DC rechargeable 6V/4AH battery

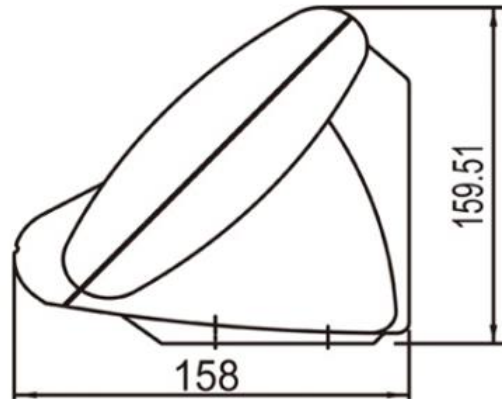
# Type XK3190-A12E Indicator

## Dimensions in mm

Front View



Side View



Bottom View

