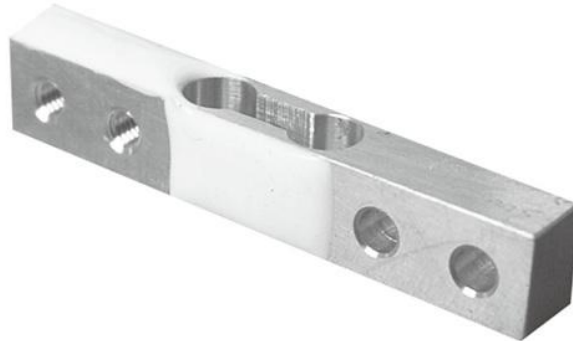


Type Q45 Miniature Sensor



Short description



- Aluminium bending miniature sensor
- High accuracy
- Used for handable scales

Available models

Capacity	Accuracy	Full article description
150g	0.05%	Q45*6*6-7.5G-150g
200g	0.05%	Q45*6*6-7.5G-200g
300g	0.05%	Q45*8*6-7.5G-300g
500g	0.05%	Q45*10*6-7.5G-500g
750g	0.05%	Q45*10*6-7.5G-750g

Specifications and dimensions are subject to change without notice and do not constitute any liability whatsoever.

Type Q45 Miniature Sensor

Detailed specifications Q45

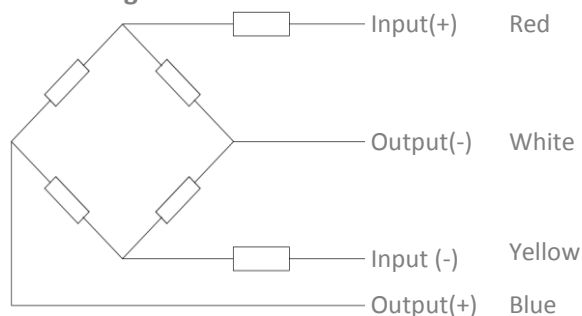
Accuracy class	of FS	0.05%		
Output sensitivity (= FS)	mV/V	0.7±0.14	0.6±0.12	0.6±0.12
Maximum capacity (E _{max})	g	150, 200	300	500, 750
Temperature effect on zero	%FS/10°C	±2.0		
Temperature effect on Sensitivity	%FS/10°C	±0.05		
Minimum dead load	of E _{max}	0%		
Safe overload	of E _{max}	150 %		
Ultimate overload	of E _{max}	300%		
Zero output	mV/V	≤ ± 0.1		
Excitation, recommended voltage	V	2 ~ 5		
Excitation maximum	V	6		
Input resistance	Ω	1055 ± 10		
Output resistance	Ω	1000 ± 10		
Insulation resistance	MΩ	≥2000 (at 50VDC)		
Compensated temperature	°C	-10 ~+40		
Operating temperature	°C	-10 ~ +40		
Storage temperature	°C	-20 ~ +65		
Element material		Aluminium		
Creep	%FS/3 min	±0.05		
Non-linearity	%FS	±0.05		
Repeatability	%FS	±0.05		
Hysteresis	%FS	±0.05		

Wiring

Wiring:

4 separate conductor cables.
Standard cables length: 0.25m.

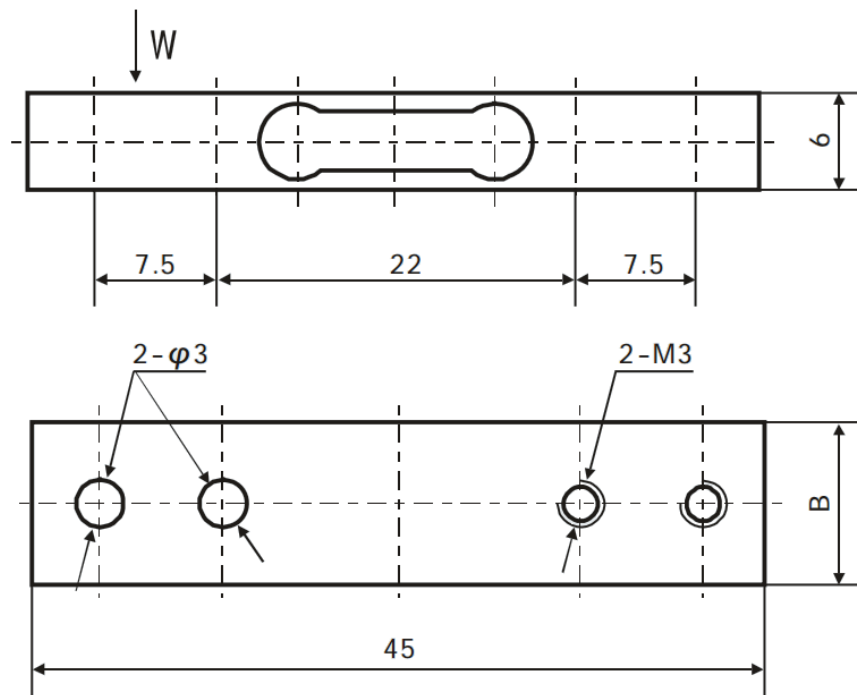
4-wire diagram



Specifications and dimensions are subject to change without notice and do not constitute any liability whatsoever.

Type Q45 Miniature Sensor

Dimensions in mm



Dimension Capacity	B
150g, 200g	6
300g	8
500g, 750g	10

Specifications and dimensions are subject to change without notice and do not constitute any liability whatsoever.