



Short description



- Aluminium-alloy IP65 load cell.
- Suitable for rope force measurement.
- Loadcell will be delivered with installation set.

Available models

Capacity	Accuracy	Full article description
4000kg	G5	L8C-4000kg-2B

Specifications and dimensions are subject to change without notice and do not constitute any liability whatsoever.

Detailed specifications L8C

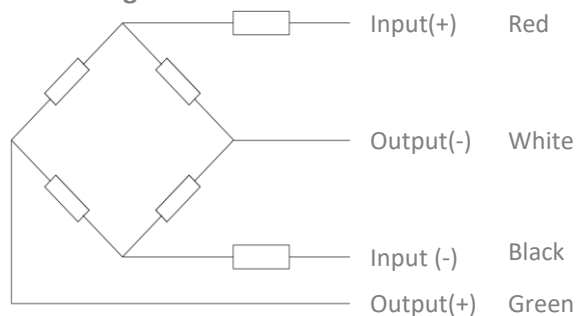
Accuracy class		G5
Output sensitivity (= FS)	mV/V	2.0 ± 0.2
Maximum capacity (E _{max})	t	4
Temperature effect on zero	%FS/10°C	< ± 0.5
Temperature effect on sensitivity	%FS/10°C	< ± 0.6
Creep	%FS/5min	< ± 0.05
Hysteresis	%FS	< ± 0.5
Minimum dead load	Of E _{max}	0%
Safe overload	of E _{max}	120 %
Ultimate overload	of E _{max}	150 %
Zero balance	%FS	< ± 1.0
Excitation, recommended voltage	V	5 ~ 12
Excitation maximum	V	15
Input resistance	Ω	350 ± 5
Output resistance	Ω	350 ± 5
Insulation resistance	MΩ	≥5000 (at 50VDC)
Compensated temperature	°C	-10...+40
Operating temperature	°C	-10...+50
Storage temperature	°C	-35...+70
Element material		Aluminium
Ingress Protection (acc. to EN 60529)		IP65

Wiring

Wiring:

Shielded, 4 conductor cable.
 Cable diameter: Ø3.8mm.
 Standard cable length: 2m.
 Shield is not connected to element.
 Cable jacket in PVC.

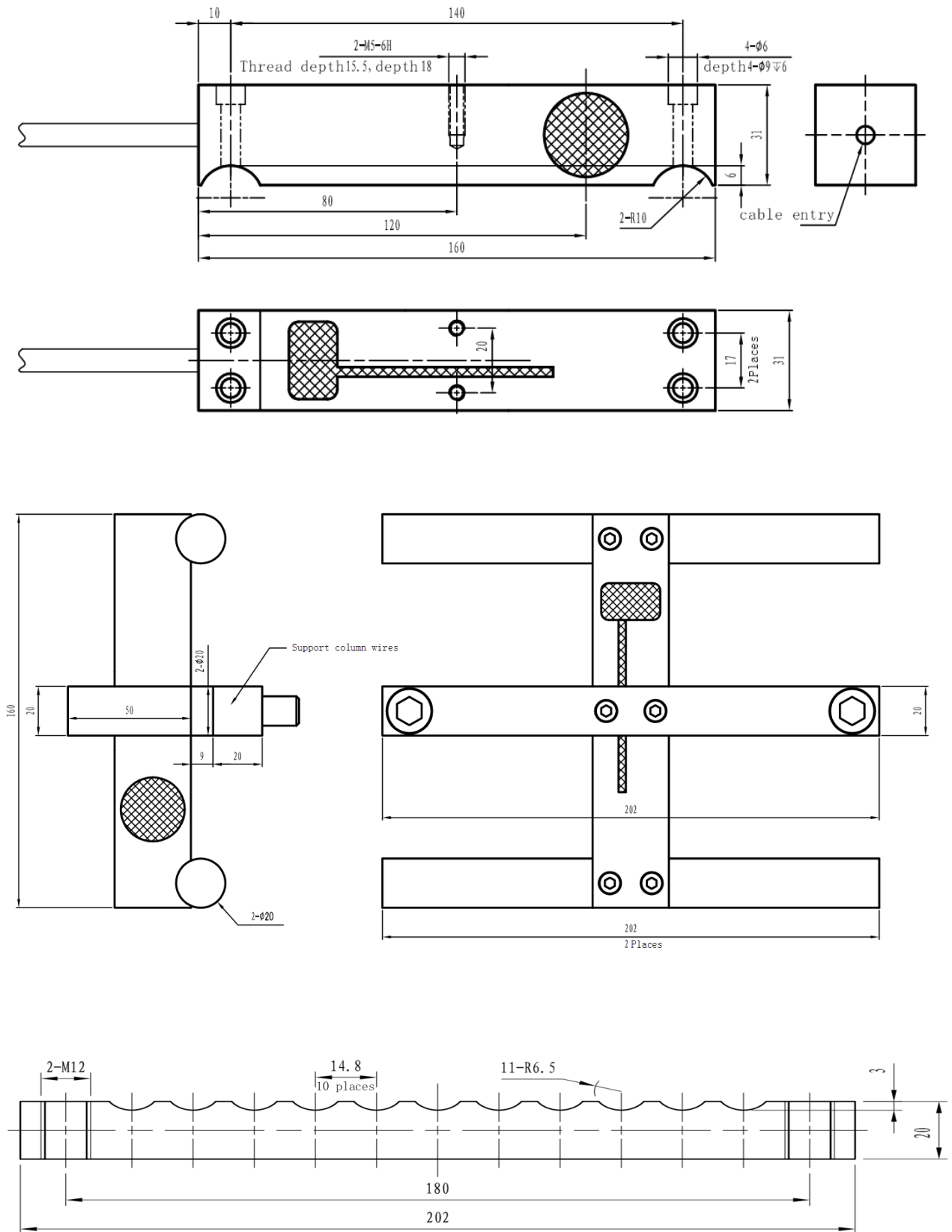
4-wire diagram



Specifications and dimensions are subject to change without notice and do not constitute any liability whatsoever.

Type L8C Load Cell

Dimensions in mm



Specifications and dimensions are subject to change without notice and do not constitute any liability whatsoever.