



Short description



- Aluminium-alloy IP65 single point load cell
- Colourless anodized
- Suitable for single and double load cell structured platform scales
- Maximum platform size: 600 x 600 mm



Test certificate no. D09-10.23
C of C no R60/2000-DE1-10.11
Certificate no. 12-006

Available models

Capacity	Accuracy	Full article description
50kg	C3/C4	L6T-C3/C4-50kg-3B6
75kg	C3/C4	L6T-C3/C4-75kg-3B6
100kg	C3/C4	L6T-C3/C4-100kg-3B6
150kg	C3/C4	L6T-C3/C4-150kg-3B6
200kg	C3/C4	L6T-C3/C4-200kg-3B6
250kg	C3/C4	L6T-C3/C4-250kg-3B6
300kg	C3	L6T-C3-300kg-3B6
500kg	C3	L6T-C3-500kg-3B6
635kg	C3	L6T-C3-635kg-3B6
1000kg	C3	L6T-C3-1000kg-3B6

Specifications and dimensions are subject to change without notice and do not constitute any liability whatsoever.

Technical specifications L6T

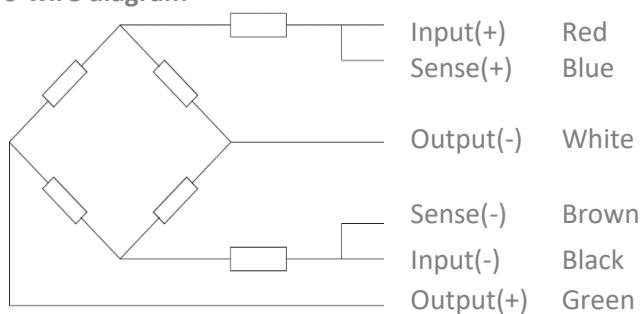
Accuracy class		OIML R60 C3		OIML R60 C4
Output sensitivity (= FS)	mV/V	2.0 ± 0.2		
Maximum capacity (E _{max})	kg	50, 75, 100, 150, 200, 250	300, 500, 635, 1000	50, 75, 100, 150, 200, 250
Max. number of load cell intervals	n _{LC}	3000		4000
Ratio of min. LC verification interval	Y = E _{max} / V _{min}	6500	15000	6500
Combined Error	%FS	≤± 0.0230		≤± 0.0140
Minimum dead load	Of E _{max}	0%		
Safe overload	of E _{max}	150 %		
Ultimate overload	of E _{max}	300 %		
Zero balance	of FS	< ± 2.0 %		
Excitation, recommended voltage	V	5 ~ 12		
Excitation maximum	V	18		
Input resistance	Ω	409 ± 6		
Output resistance	Ω	350 ± 3		
Insulation resistance	MΩ	≥5000 (at 50VDC)		
Compensated temperature	°C	-10 ~ +40		
Operating temperature	°C	-20 ~ +50		
Storage temperature	°C	-40 ~ +70		
Element material		Aluminium		
Ingress Protection (acc. to EN 60529)		IP65		
Recommended torque on fixation	Nm	M8: 25		

Wiring

Features:

Shielded, 6 conductor cable
 Cable diameter: Ø5mm
 Standard cable length: 3m
 Shield not connected to element
 Cable jacket in PVC

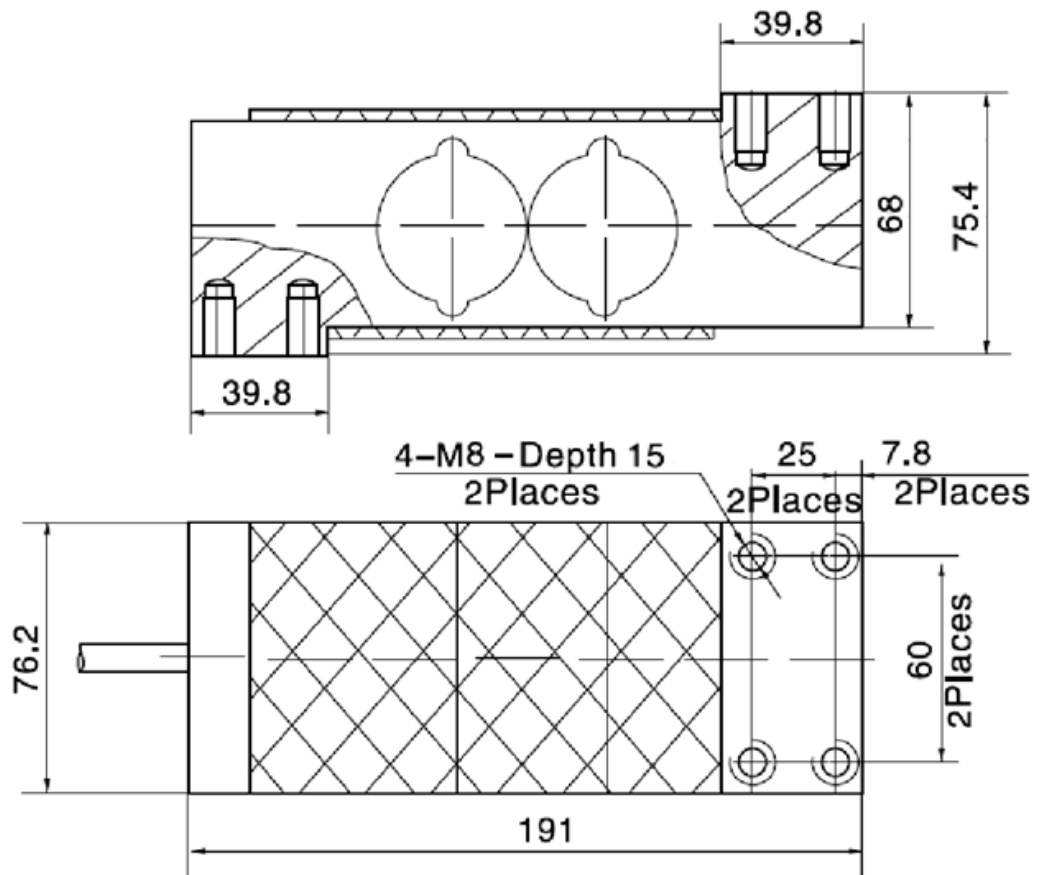
6-wire diagram



Specifications and dimensions are subject to change without notice and do not constitute any liability whatsoever.

Type L6T Load Cell

Dimensions in mm



Specifications and dimensions are subject to change without notice and do not constitute any liability whatsoever.