

Short Description



- Low profile, parallel beam construction
- Anodized aluminum alloy
- IP65
- Easy installation



Test certificate no. TC8407 Revision 0
C of C no R60/2000-NL1-13.22 Rev. 1

Available Models

Capacity	Accuracy	Full article description
22kg	C3	L6P-C3-22kg-1.5P-R1S
45kg	C3	L6P-C3-45kg-1.5P-R1S
75kg	C3	L6P-C3-75kg-1.5P-R1S
110kg	C3	L6P-C3-110kg-1.5P-R1S
150kg	C3 (Excluded from OIML)	L6P-C3-150kg-1.5P-R1S

Technical Specifications L6P

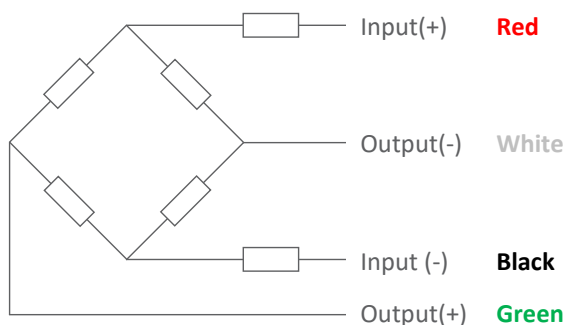
Accuracy Class		OIML R60 C3	C3
Output Sensitivity (= FS)	mV/V	1.0 ± 0.1	1.0 ± 0.02
Maximum Capacity (E _{max})	kg	22, 45, 75, 110	150
Max. Number of Load Cell Intervals	n _{LC}	3000	
Ratio of min. LC Verification Interval	$Y = E_{max} / V_{min}$	10000	
Combined Error	%FS	≤± 0.0230	
Creep Error (30 minutes)	%FS	≤± 0.0167	
Temperature Effect on Zero (ZTC)	%FS/10°C	≤± 0.0187	
Temperature Effect on Sensitivity (STC)	%FS/10°C	≤± 0.0200	
Zero Balance	%FS	≤± 5.0	
Safe Overload	%FS	150	120
Ultimate Overload	%FS	300	250
Excitation, Recommended Voltage	V	5 ~ 12	
Excitation, Maximum Voltage	V	18	
Input Resistance	Ω	1065 ± 15	1080 ± 50
Output Resistance	Ω	1000 ± 10	
Insulation Resistance (50V)	MΩ	≥5000	
Compensated Temperature	°C	-10 ~ + 40	
Operating Temperature	°C	-35 ~ + 70	
Storage Temperature	°C	-35 ~ + 80	
Load Cell Weight	kg	~0.04 - ~0.07	
Element Material		Aluminium	
Ingress Protection (acc. to EN 60529)		IP65	
Recommended Torque on Fixation Bolts	Nm	M4: 3	

Wiring

Features:

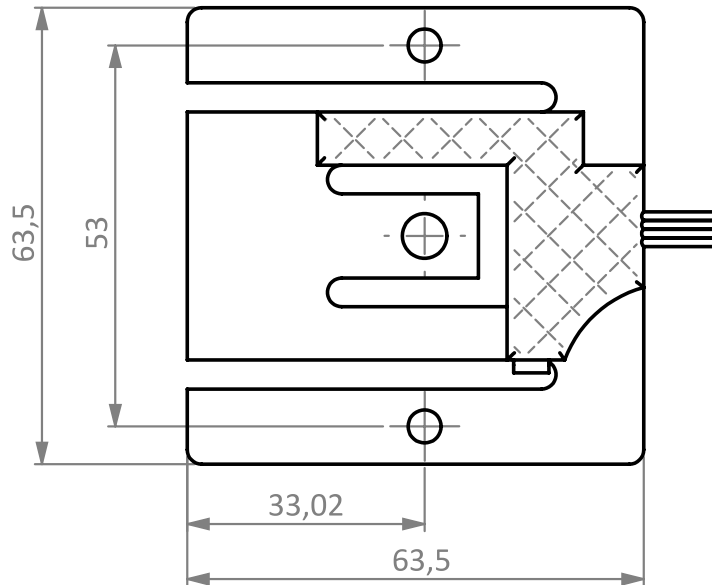
Cable type: 4 conductor flat ribbon cable , conductor AWG 26
 Cable diameter: Ø 1.2mm
 Cable length: 1.5m
 Cable jacket: N/A

4-Wire Connection Diagram

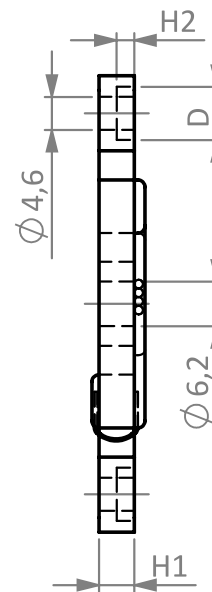


Dimensions in mm

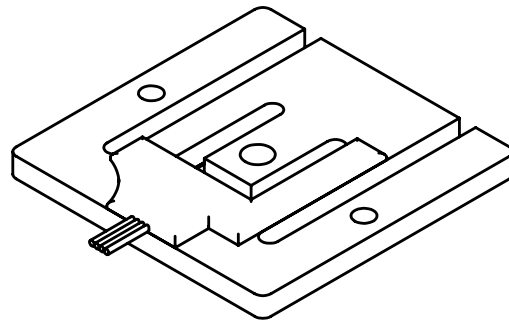
Top View



Side View



Isometric View



Dimension Capacity	ϕD	H2	H1
22kg	4.6	--	3.31
45kg	4.6	--	4.89
75kg	4.6	--	6.00
110kg	7.4	3.2	7.58
150kg	7.4	3.2	8.71