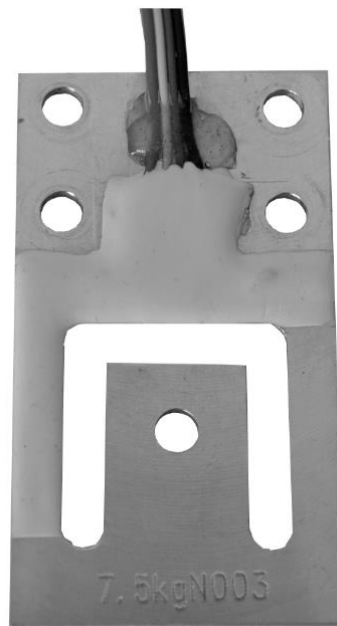


# Type L6P1 Miniature Sensor



## Short description



- Low profile
- Anodized aluminum alloy
- IP65 sealed



Test certificate no. TC8408 Revision 0  
C of C no. R60/2000-NL1-13.23 Revision 1

## Available models

Capacity	Accuracy	Full article description
7.5 kg	C3	L6P1-C3-7.5kg-1P

Specifications and dimensions are subject to change without notice and do not constitute any liability whatsoever.

# Type L6P1 Miniature Sensor

## Technical specifications L6P1

Accuracy class		OIML R60 C3
Output sensitivity ( = FS )	mV/V	1.0 ± 0.1
Maximum capacity ( E <sub>max</sub> )	kg	7.5
Max. number of load cell intervals	n <sub>LC</sub>	3000
Ratio of min. LC verification interval	$Y = E_{max} / V_{min}$	7500
Combined Error	%FS	≤± 0.023
Minimum dead load	Of E <sub>max</sub>	0%
Safe overload	of E <sub>max</sub>	150 %
Ultimate overload	of E <sub>max</sub>	300 %
Zero balance	of FS	< ± 5.0 %
Excitation, recommended voltage	V	5 ~ 15
Excitation maximum	V	18
Input resistance	Ω	1080 ± 50
Output resistance	Ω	1000 ± 10
Insulation resistance	MΩ	≥5000 ( at 50VDC )
Compensated temperature	°C	-10 ~+40
Operating temperature	°C	-20 ~ +50
Storage temperature	°C	-35 ~ +80
Element material		Aluminium
Ingress Protection (acc. to EN 60529)		IP65
Recommended torque on fixation	Nm	M4: 3
ATEX classification (optional)		None

## Wiring

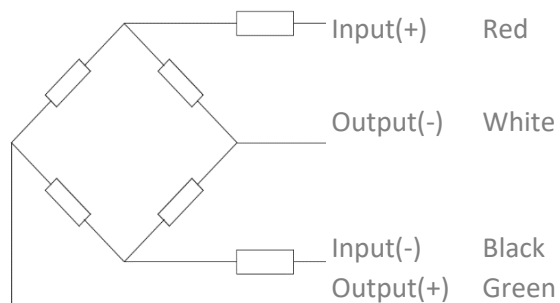
### Features:

4 conductor flat ribbon cable

Cable diameter: Ø1.2mm

Standard cable length: 1.0m

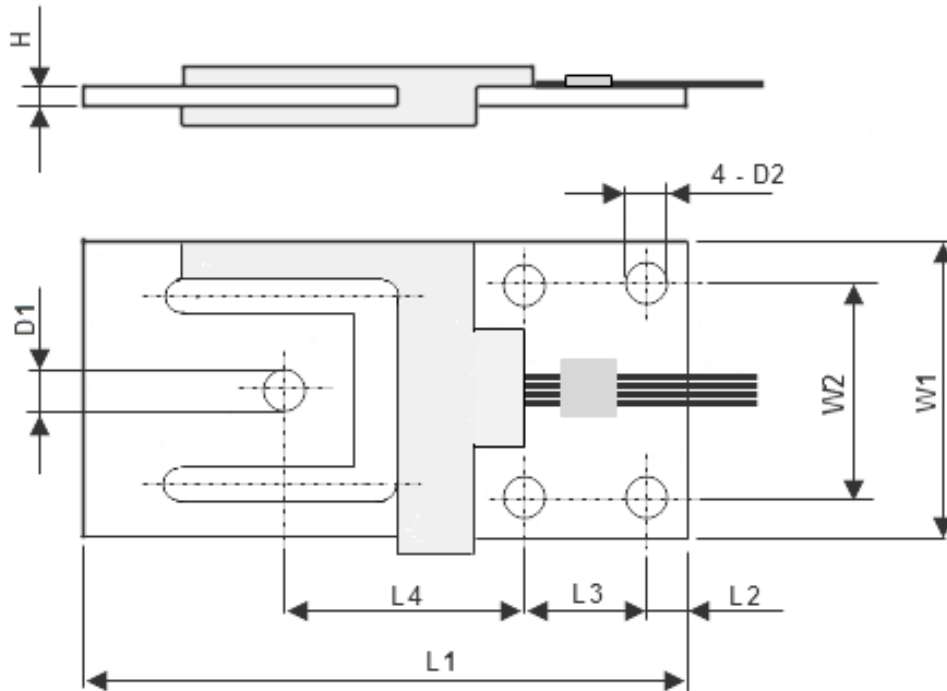
### 4-wire diagram



Specifications and dimensions are subject to change without notice and do not constitute any liability whatsoever.

# Type L6P1 Miniature Sensor

Dimensions in mm



Dimension Capacity	L1	L2	L3	L4	W1	W2	H	D1	D2
7.5kg	70	4.9	14	28	39	27.8	2	5.1	5.1

Specifications and dimensions are subject to change without notice and do not constitute any liability whatsoever.