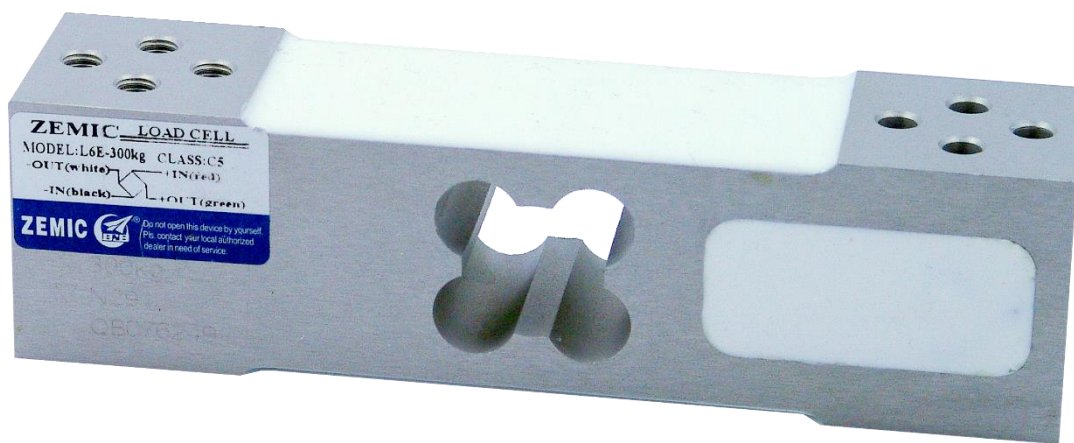



Type L6E Load Cell



Short description



- Aluminium-alloy IP65 single point load cell.
- Colourless anodized
- Suitable for pricing scales, bench scales, etc.
- Maximum platform size: 400 x 400 mm

 test certificate no. TC7838 Revision 1
C of C no R60/2000-NL1-10.22

 Certificate no. 11-062

Available models

Capacity	Accuracy	Full article description
50kg	C3/C4/C5	L6E-C3/C4/C5-50kg-2B
60kg	C3/C4/C5	L6E-C3/C4/C5-60kg-2B
80kg	C3/C4/C5	L6E-C3/C4/C5-80kg-2B
100kg	C3/C4/C5	L6E-C3/C4/C5-100kg-2B
150kg	C3/C4/C5	L6E-C3/C4/C5-150kg-2B
200kg	C3/C4/C5	L6E-C3/C4/C5-200kg-2B
300kg	C3/C4/C5	L6E-C3/C4/C5-300kg-2B

Specifications and dimensions are subject to change without notice and do not constitute any liability whatsoever.

Type L6E Load Cell

Detailed specifications L6E

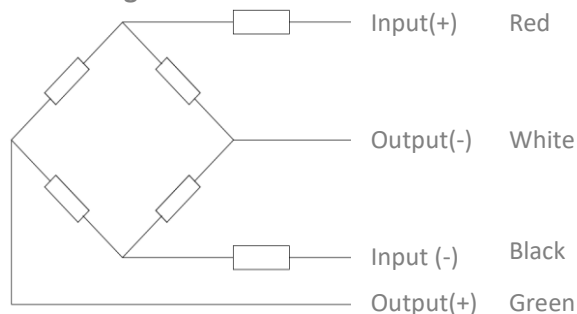
Accuracy class		OIML R60 C3		OIML R60 C4		OIML R60 C5	
Output sensitivity (= FS)	mV/V	2.0 ± 0.2					
Maximum capacity (E _{max})	kg	50, 60, 80, 100	150, 200, 300	50, 60, 80, 100	150, 200, 300	50, 60, 80, 100	150, 200, 300
Max.number of load cell intervals	n _{LC}	3000		4000		5000	
Ratio of min. LC verification interval	Y = E _{max} / V _{min}	10000		15000		20000	
Combined Error	%FS	≤± 0.0230		≤± 0.0175		≤± 0.0140	
Minimum dead load	Of E _{max}	0%					
Safe overload	of E _{max}	150 %					
Ultimate overload	of E _{max}	300 %					
Zero balance	of FS	< ± 2.0 %					
Excitation, recommended voltage	V	5 ~ 12					
Excitation maximum	V	18					
Input resistance	Ω	406 ± 6					
Output resistance	Ω	350 ± 3					
Insulation resistance	MΩ	≥5000 (at 50VDC)					
Compensated temperature	°C	-10 ~ +40					
Operating temperature	°C	-35 ~ +65					
Storage temperature	°C	-40 ~ +70					
Element material		Aluminium					
Ingress Protection (acc. to EN 60529)		IP65					
Recommended torque on fixation	Nm	M6:20					

Wiring

Wiring:

Shielded, 4 conductor cable.
 Cable diameter: Ø5.3mm.
 Standard cable length: 2m.
 Shield not connected to element.
 Cable jacket in PVC.

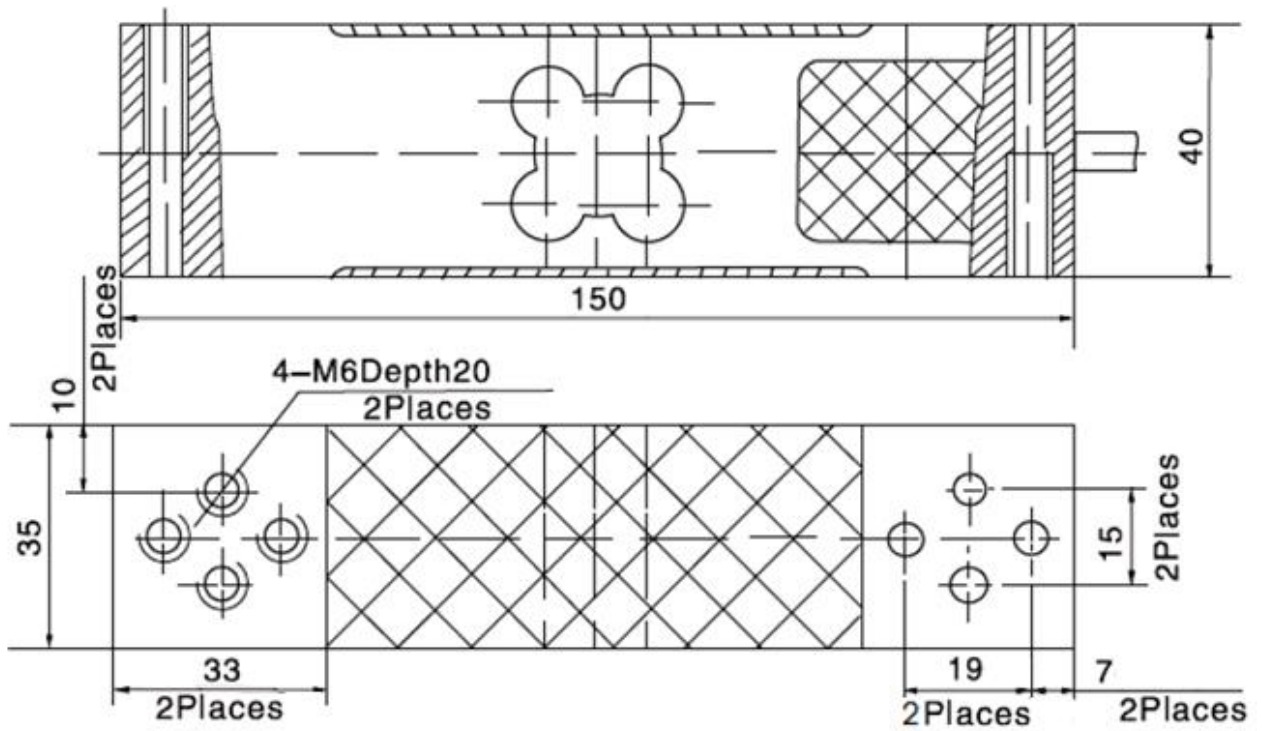
4-wire diagram



Specifications and dimensions are subject to change without notice and do not constitute any liability whatsoever.

Type L6E Load Cell

Dimensions in mm



Specifications and dimensions are subject to change without notice and do not constitute any liability whatsoever.