

Short description



- Aluminium-alloy IP65 single point load cell
- Colourless anodized
- Available with flat ribbon or PVC cable.
- Suitable for counting and other electronic scales
- Maximum platform size: 350 x 450 mm

Non-OIML approved

Available models

Capacity	Accuracy	Full article description
3kg	C3	L6C-C3-3kg-2B
5kg	C3	L6C-C3-5kg-2B
8kg	C3	L6C-C3-8kg-2B
20kg	C3	L6C-C3-20kg-2B
30kg	C3	L6C-C3-30kg-2B
50kg	C3	L6C-C3-50kg-2B

Specifications and dimensions are subject to change without notice and do not constitute any liability whatsoever.

Technical specifications L6C

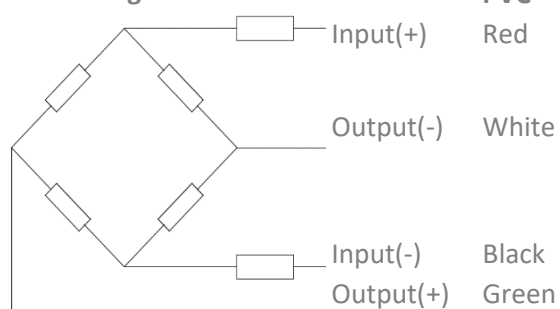
Accuracy class		C3
Output sensitivity (= FS)	mV/V	1.9 ± 0.2
Maximum capacity (E _{max})	kg	3, 5, 8, 20, 30, 50
Max.number of load cell intervals	n _{LC}	3000
Ratio of min. LC verification interval	$Y = E_{max} / v_{min}$	7000
Combined Error	%FS	≤± 0.0230
Minimum dead load	Of E _{max}	0%
Safe overload	of E _{max}	120 %
Ultimate overload	of E _{max}	150 %
Zero balance	of FS	< ± 2.0 %
Excitation, recommended voltage	V	5 ~ 15
Excitation maximum	V	18
Input resistance	Ω	406 ± 6
Output resistance	Ω	350 ± 3
Insulation resistance	MΩ	≥5000 (at 50VDC)
Compensated temperature	°C	-10 ~ +40
Operating temperature	°C	-35 ~ +65
Storage temperature	°C	-40 ~ +70
Element material		Aluminium
Ingress Protection (acc. to EN 60529)		IP65
Recommended torque on fixation	Nm	M8: 20
Corner error		0.02% load/ 100 mm

Wiring

Features:

Shielded, 4 conductor cable
 Cable dimensions: Ø5.3mm
 Standard cable length: 2m
 Shield is connected to element

4-wire diagram



PVC

Red
 White
 Black
 Green

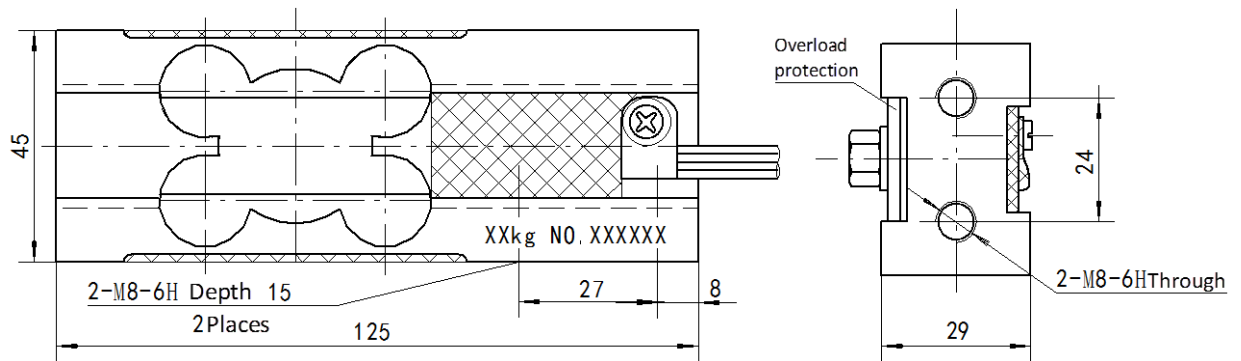
Flat ribbon



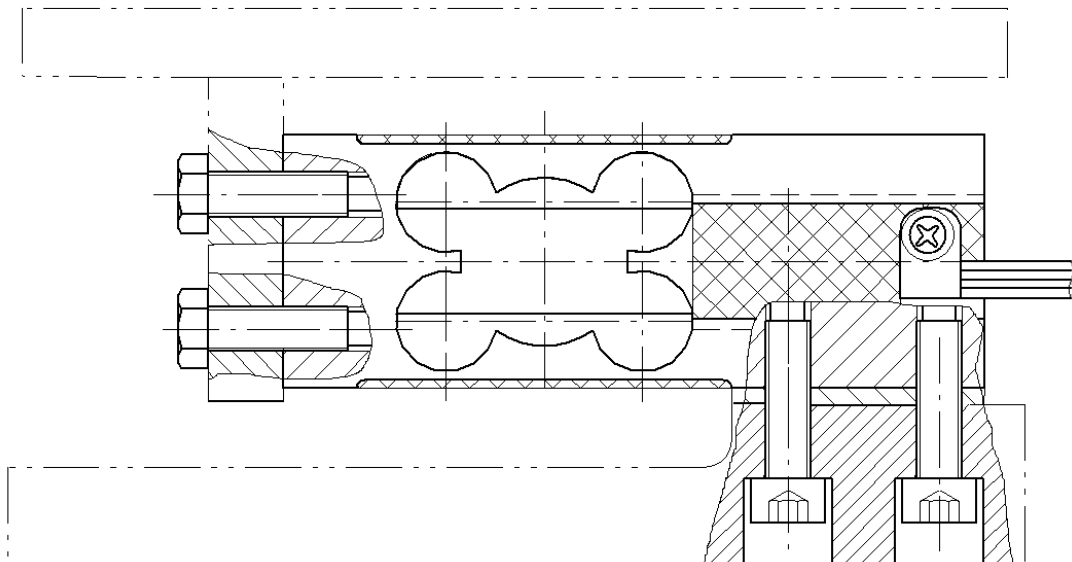
Specifications and dimensions are subject to change without notice and do not constitute any liability whatsoever.

Type L6C Load Cell

Dimensions in mm



Mounting position



Specifications and dimensions are subject to change without notice and do not constitute any liability whatsoever.