



## Short description



- Portable wheel weigher
- Special treatment against hard working conditions
- With detachable cable
- Suitable to measure the weight of small vehicles and airplanes

## Available models

Model	Capacity	Full article description	Part number
L15D	650kg	L15D-650kg-G2-10JT3	8000036

Specifications and dimensions are subject to change without notice and do not constitute any liability whatsoever.

## Detailed specifications L15D

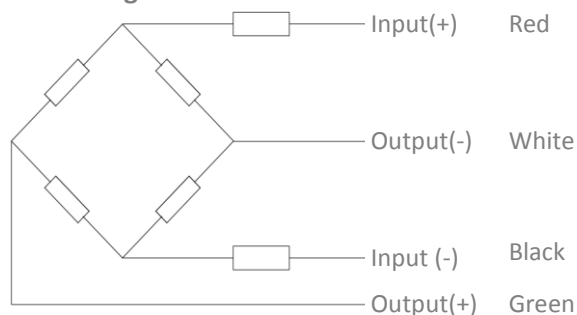
Accuracy class		G2
Rated output	mV/V	0.9±0.2
Maximum capacity ( E <sub>max</sub> )	kg	650
Non-Linearity	%FS	0.2
Repeatability	%FS	0.1
Transverse error	%FS	0.2
Combined Error	%FS	≤± 0.2
Minimum dead load	of FS	0%
Safe overload	of FS	120 %
Ultimate overload	of FS	150 %
Zero balance	of FS	0.1%
Excitation, recommended voltage	V	9 ~ 15
Excitation maximum	V	20
Input resistance	Ω	1450 ± 40
Output resistance	Ω	1400 ± 5
Insulation resistance	MΩ	≥5000 ( at 100VDC )
Compensated temperature	°C	-10...+50
Operating temperature	°C	-40...+80
Storage temperature	°C	-40...+80
Weighing Pad Material		Aluminium
Ingress Protection (acc. to EN 60529)		IP67

## Wiring

### Wiring:

Shielded, 4 conductor cable.  
 Standard cable length: 10m.  
 Shield not connected to element.  
 Spring on the first 3m of the cable.

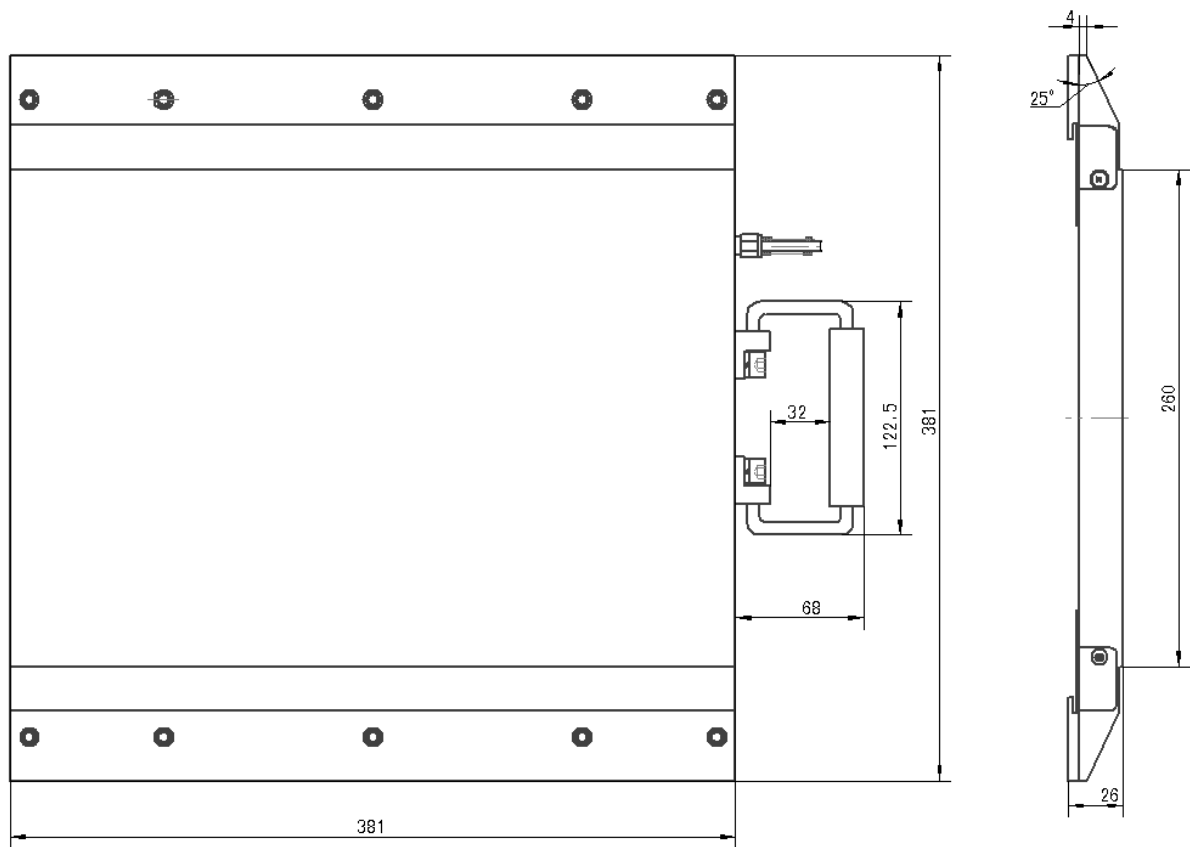
### 4-wire diagram



Specifications and dimensions are subject to change without notice and do not constitute any liability whatsoever.

# Type L15D Portable Weighing Pad

Dimensions in mm



Specifications and dimensions are subject to change without notice and do not constitute any liability whatsoever.