



Short description



- Integrated design, self weight less than 36 kg
- Protected against hard working conditions
- Equipped with rubber ramp to avoid impact

Available models

Model	Capacity	Full article description	Part number
L15B	15t	L15B-15t-G4-10m-3T	8000032

Specifications and dimensions are subject to change without notice and do not constitute any liability whatsoever.

Type L15B Portable Weighing Pad

Technical specifications L15B

Accuracy class		G4
Rated output	mV/V	0.9±0.2
Maximum capacity (Emax)	t	15t
Non-Linearity	%ld	0.5
Repeatability	%ld	0.1
Creep	%FS/30min	0.1
Combined Error	%ld	≤± 0.5
Minimum dead load	of FS	0%
Safe overload	of FS	120 %
Ultimate overload	of FS	150 %
Zero balance	of FS	4% ~ 10%
Excitation, recommended voltage	V	9 ~ 15
Excitation maximum	V	20
Input resistance	Ω	3120 ± 40
Output resistance	Ω	2800 ± 10
Insulation resistance	MΩ	≥5000 (at 100VDC)
Compensated temperature	°C	-10...+40
Operating temperature	°C	-35...+65
Storage temperature	°C	-40...+70
Weighing Pad Material		Aluminium
Ingress Protection (acc. to EN 60529)		IP66

Wiring

Features:

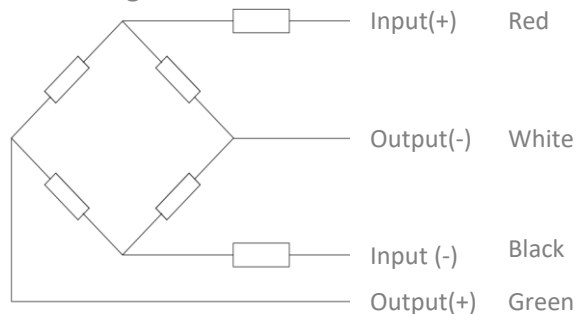
Shielded, 4 conductor cable.

Standard cable length: 10m.

Shield not connected to element.

Spring on the first 3m of the cable.

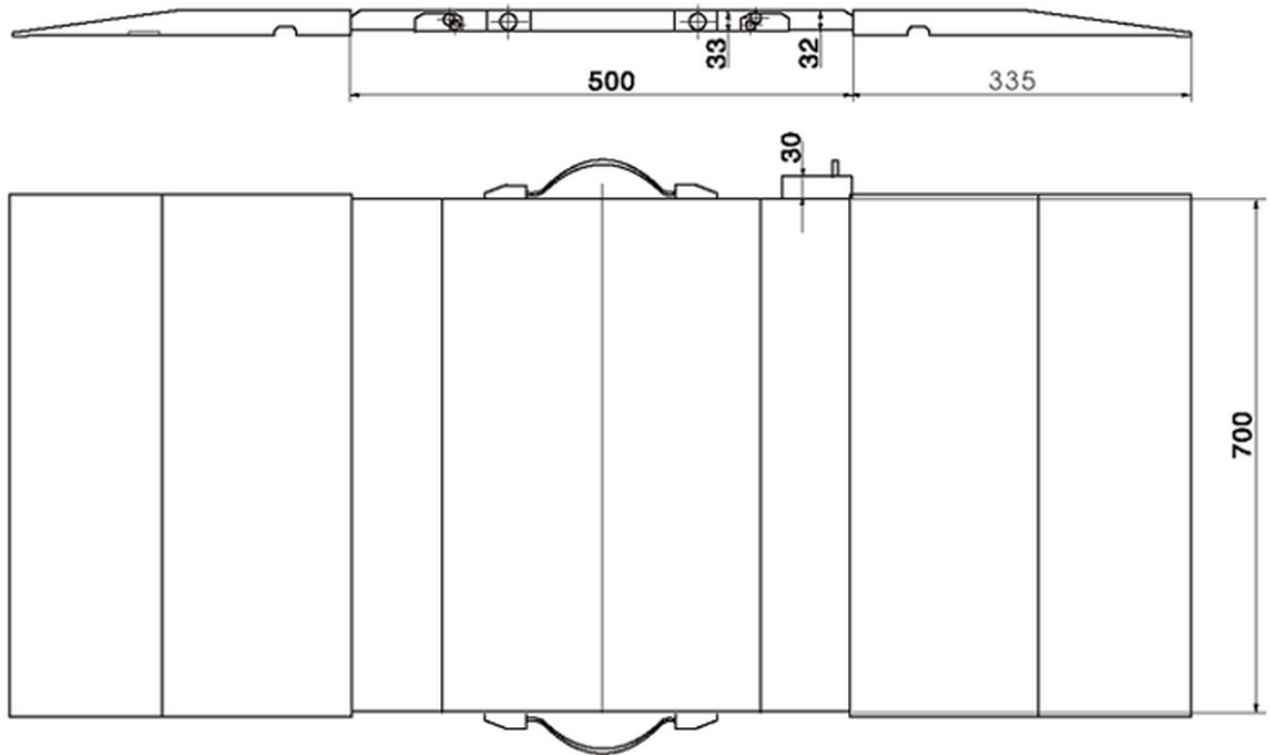
4-wire Diagramm



Specifications and dimensions are subject to change without notice and do not constitute any liability whatsoever.

Type L15B Portable Weighing Pad

Dimensions in mm



Specifications and dimensions are subject to change without notice and do not constitute any liability whatsoever.