

## Short Description



- Fit for 4-wire load cells
- Easy installation
- Stainless steel housing

## Available Models

Model	No. of Connections	Full Article Description	Part Number
JB-SS304	4	JB-SS304 4lcs (JXH-4)	30080100
	6	JB-SS304 6lcs (JXH-6)	30080150
	8	JB-SS304 8lcs (JXH-8)	30080200
	10	JB-SS304 10lcs (JXH-10)	30080220

## Technical Specifications JB-SS304

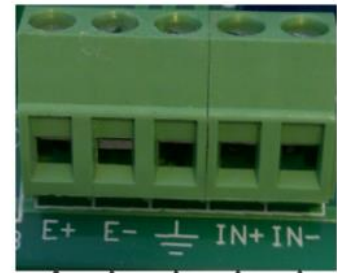
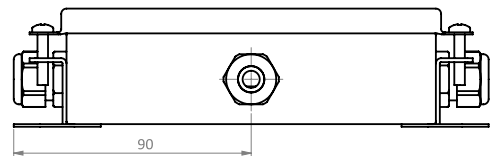
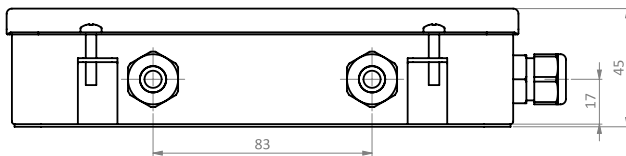
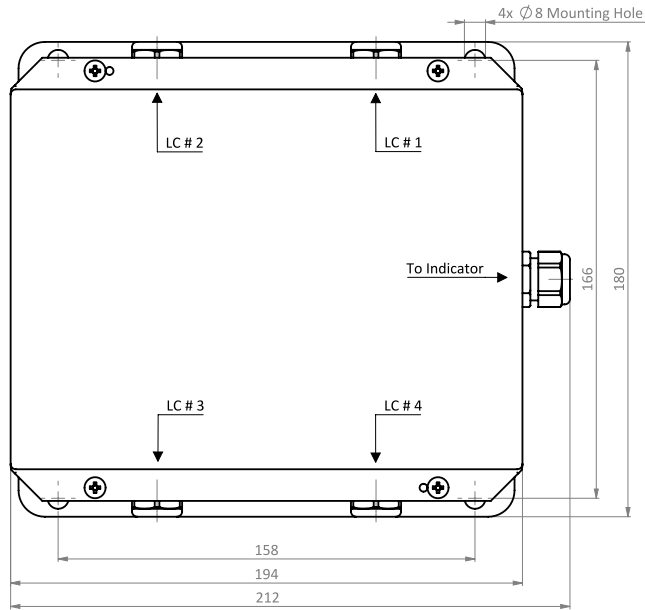
Load Cell output Resistance Range	$\Omega$	340 to 1100
Load Cell input Resistance Range	$\Omega$	340 to 1100
Excitation, Recommended Voltage	V(AC&DC)	5 to 15
Excitation, Maximum	V(AC&DC)	20
Load Cell Sensitivity Range	mV/V	0.6 – 3
Cable $\varnothing$	mm	5 to 6.2
Correction Method		Excitation trim
Trimming Range	$\Omega$	20 ( $\pm 10$ )
Temperature Range, Operating	$^{\circ}\text{C}$	-40 ~ +85
Ingress Protection		IP65
Housing Connected to Shield		No
External Grounding		No

Specifications and dimensions are subject to change without notice and do not constitute any liability whatsoever.

# Type JB-SS304 Junction Box

## Dimensions in mm

4 lcs.

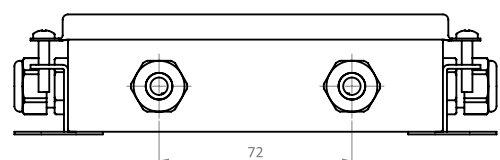
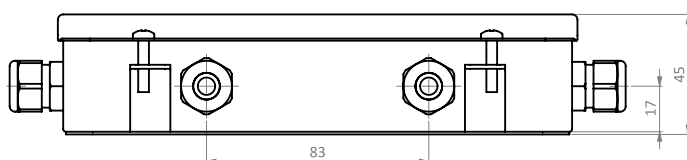
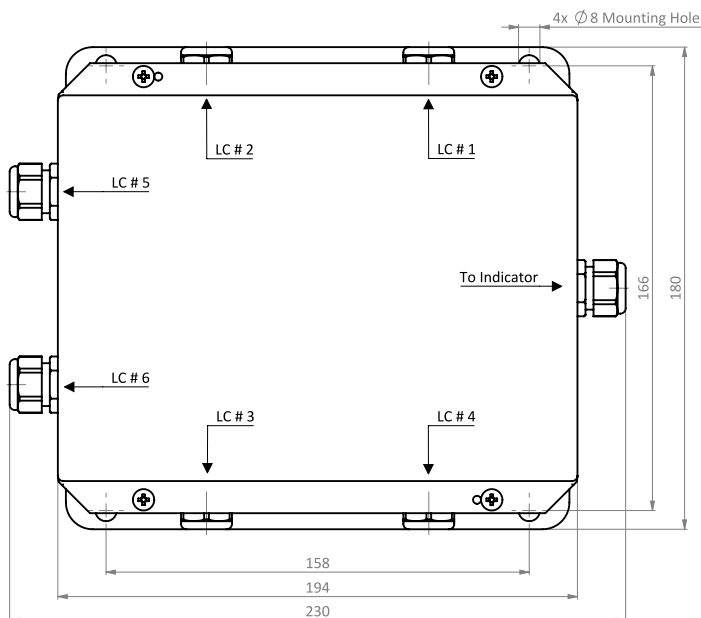


Excitation +  
Excitation --

Shield/ground

Signal +  
Signal --

6 lcs.



Excitation +  
Excitation --

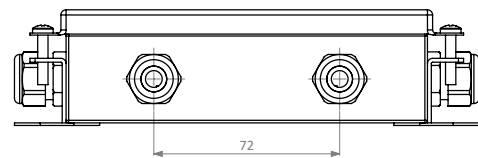
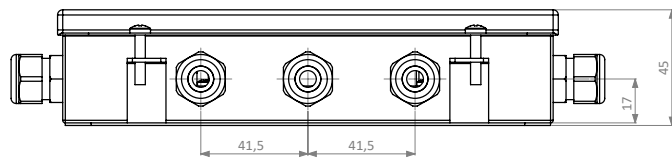
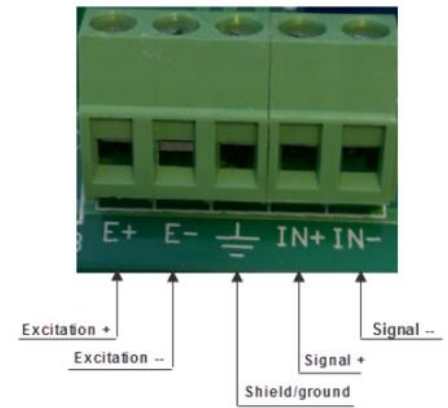
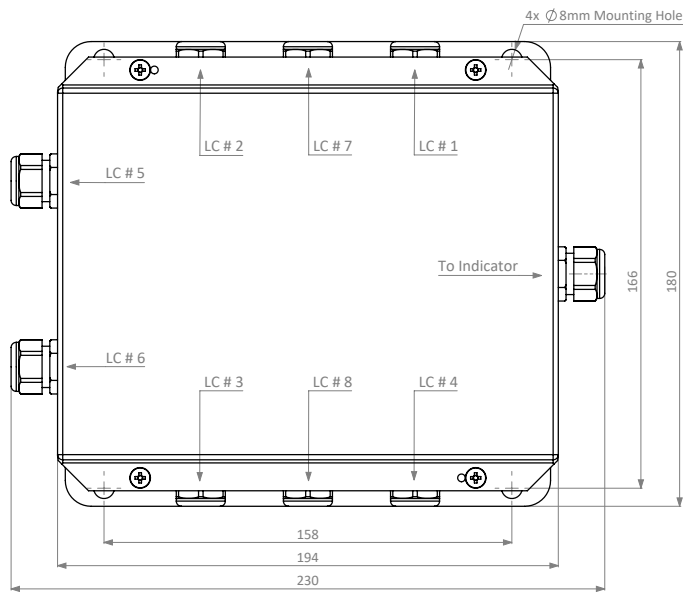
Shield/ground

Signal +  
Signal --

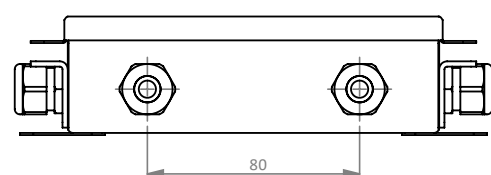
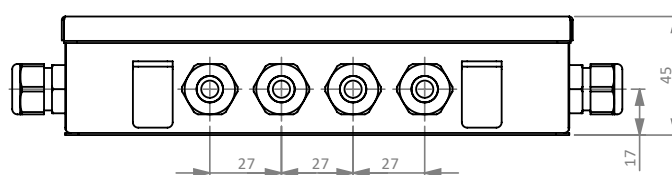
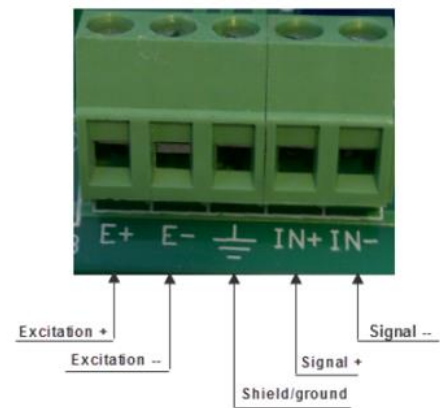
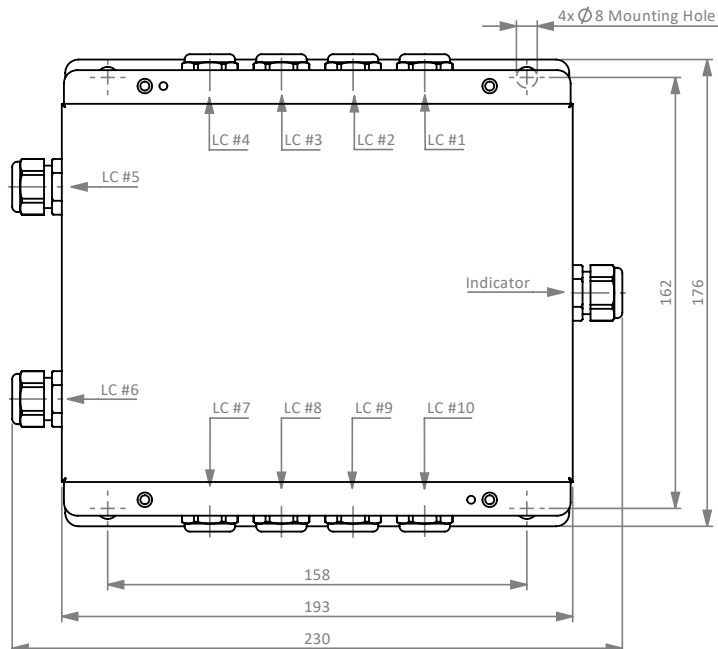
Specifications and dimensions are subject to change without notice and do not constitute any liability whatsoever.

# Type JB-SS304 Junction Box

8 lcs.



10 lcs.



Specifications and dimensions are subject to change without notice and do not constitute any liability whatsoever.