



Short Description



- Fit for 4-wire and 6-wire load cells
- Easy installation
- Cast aluminium housing
- Protective coating

Available Models

Model	Amount of Connections	Full Article Description	Part Number
JB02C	2	JB02C-2	30020100
	3	JB02C-3	30020200
	4	JB02C-4	30020300
	4	JB02C-4-WB (no logo)	30020320

Detailed Specifications JB02C

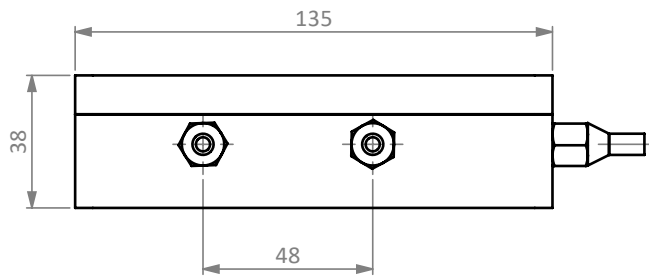
Load Cell Output Resistance Range	Ω	340 to 1100
Load Cell Input Resistance Range	Ω	340 to 1100
Excitation, Recommended Voltage	V(AC&DC)	5 to 20
Excitation, Maximum	V(AC&DC)	30
Load Cell Sensitivity Range	mV/V	0.6 – 3
Cable Diameter \emptyset	mm	5 to 6.2
Correction Method		Excitation trim
Trimming Range	Ω	24
Temperature Range, Operating	$^{\circ}\text{C}$	-40 ~ +85
Ingress Protection		IP65
Housing Connected to Shield		Yes
External Grounding		No

Specifications and dimensions are subject to change without notice and do not constitute any liability whatsoever.

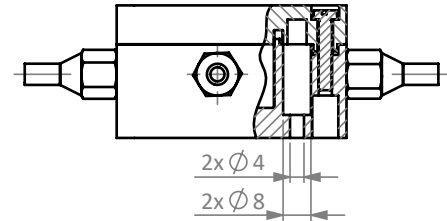
Type JB02C Junction Box

Dimensions in mm

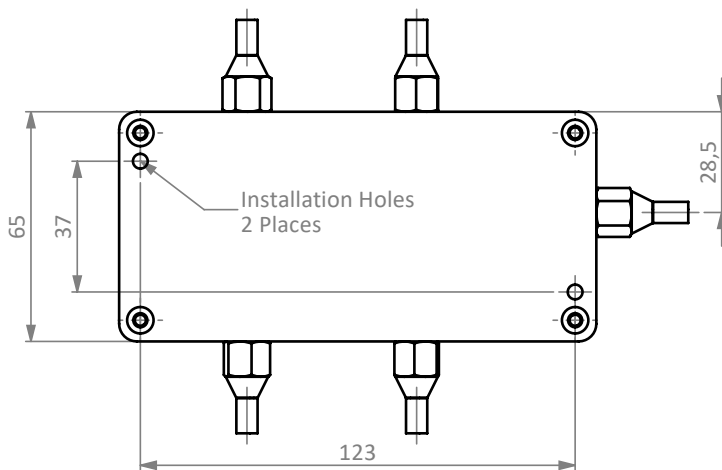
Front View



Side View



Front View



Isometric View

