



Short Description

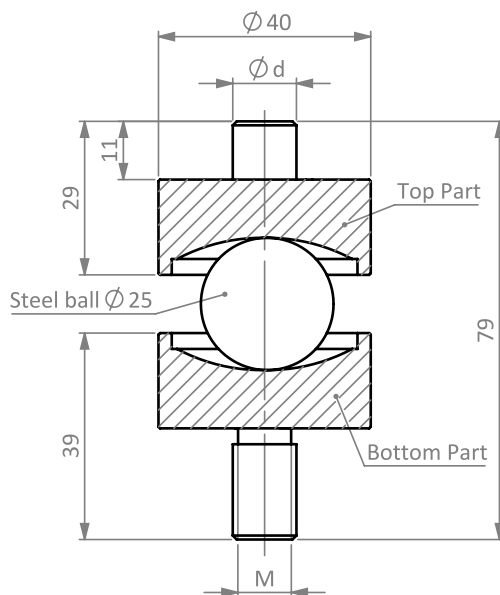
- Nickel plated alloy steel 'Ball Foot' Mounting Kit
- Self-centralization with steel ball
- Can be used with load cell models: H8C, B8D* and BM8D*

Available Models

Model	Capacity	Full Article Description	Part Number
HY-8-102	0.5t – 2t	HY-8-102-0.5/2t Metric	20808100
	2.5t – 5t*	HY-8-102-2.5/5t	20808200
	10t	HY-8-102-10t	20808300

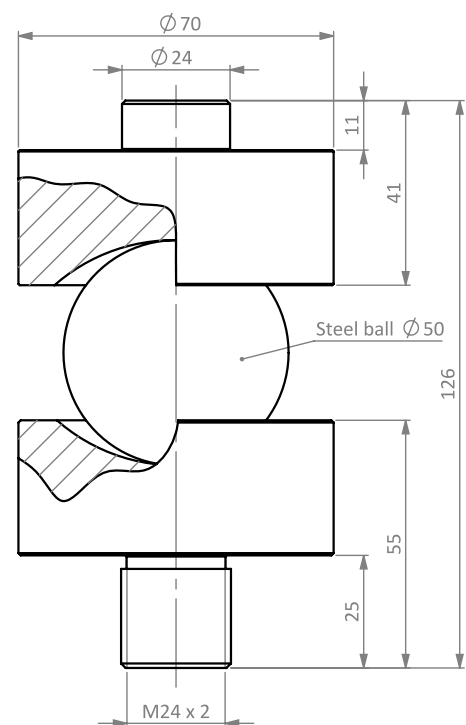
Dimensions in mm

Side View 0.5 – 2t / 2.5 – t



Dimension Type	Capacity	$\varnothing d$	M
HY-8-102	0.5t – 2t	12	M12 x 1.75
	2.5t – 5t*	18	M18 x 1.5

Side View 10t



*: 2.5t – 5t version is not suitable for B8D and BM8D

Specifications and dimensions are subject to change without notice and do not constitute any liability whatsoever.