



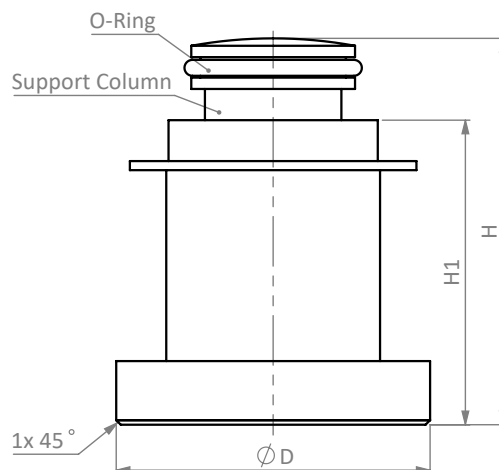
Short Description

- Anti-corrosion
- Easy installation
- Nickel plated alloy steel
- Can be used with load cell models: H8 and HM8

Available Models

Model	Capacity	Full Article Description	Part Number
HY-8-101	0.5t – 3t	HY-8-101-0.5/3t	20807100
	5t	HY-8-101-5t	20807200
	10t – 15t	HY-8-101-10/15t	20807300
	20t – 25t	HY-8-101-20/25t	20807400
	30t	HY-8-101-30t	20807500

Dimensions in mm



Dimension Type	Capacity	ØD	H	H1
HY-8-101	0.5t – 3t	35	44.9	24.9
	5t	42	56.7	34.7
	10t – 15t	57	80.7	66.7
	20t – 25t	70	85	67
	30t	70	91	70

Specifications and dimensions are subject to change without notice and do not constitute any liability whatsoever.