



Short Description



- Nickel plated alloy steel IP68 shear beam load cell
- Hermetically sealed
- Suitable for truck, track, hopper and other electronic weighing devices
- Includes HY-8-101 Load button



Test certificate no. TC8103 Revision 0
C of C no R60/2000-NL1-12.14

Available Models

Capacity	Accuracy	Full Article Description
1t	C3 Excluded from OIML	HM8-C3-1t-6.5B6 + HY-8-101-0.5/3t
2t	C3 Excluded from OIML	HM8-C3-2t-6.5B6 + HY-8-101-0.5/3t
2.5t	C3 Excluded from OIML	HM8-C3-2.5t-6.5B6 + HY-8-101-0.5/3t
3t	C3 Excluded from OIML	HM8-C3-3t-6.5B6 + HY-8-101-0.5/3t
5t	C3	HM8-C3-5t-6.5B6 + HY-8-101-5t
10t	C3	HM8-C3-10t-6.5B6 + HY-8-101-10/15t
15t	C3	HM8-C3-15t-6.5B6 + HY-8-101-10/15t
20t	C3	HM8-C3-20t-6.5B6 + HY-8-101-20/25t
25t	C3	HM8-C3-25t-6.5B6 + HY-8-101-20/25t
30t	C3 Excluded from OIML	HM8-C3-30t-6.5B6 + HY-8-101-30t

Technical Specifications HM8

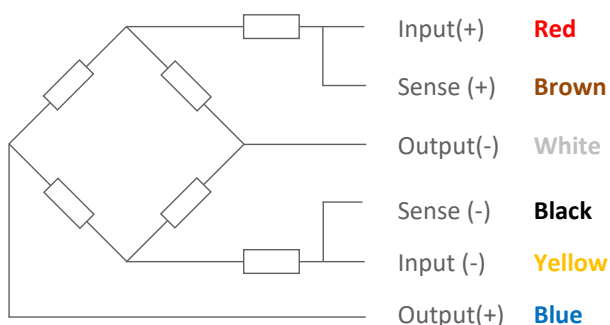
Accuracy Class		C3		OIML R60 C3		
Output Sensitivity (= FS)	mV/V	2.0 ± 0.002				
Maximum Capacity (E _{max})	t	1, 2, 2.5, 3, 30		5, 10, 15, 20, 25		
Max. Number of Load Cell Intervals	n _{LC}	3000				
Ratio of min. LC Verification Interval	Y = E _{max} / v _{min}	10000		15000		
Combined Error	%FS	≤± 0.020				
Creep Error (30 minutes)	%FS	≤± 0.016				
Temperature Effect on Zero (ZTC)	%FS/10°C	≤± 0.015				
Temperature Effect on Sensitivity (STC)	%FS/10°C	≤± 0.011				
Zero Balance	%FS	≤± 1.0				
Safe Overload	%FS	150				
Ultimate Overload	%FS	300				
Excitation, Recommended Voltage	V	5 ~ 12				
Excitation, Maximum Voltage	V	18				
Input Resistance	Ω	400 ± 10				
Output Resistance	Ω	351 ± 3.0				
Insulation Resistance (50V)	MΩ	≥5000 (at 50VDC)				
Compensated Temperature	°C	-10 ~+40				
Operating Temperature	°C	-35 ~ +65				
Storage Temperature	°C	-40 ~ +70				
Load Cell Weight	kg	1t – 3t: ~2.4	5t: 4.3	10-15t: 9.1	20t-25t: ~12.3	30t: 26.1
Element Material		Nickel Plated Alloy Steel				
Ingress Protection (acc. to EN 60529)		IP68				
Recommended Torque on Fixation Bolts	Nm	M12: 75	M14:120	M20:450	M27:1075	M33:1975
ATEX Classification (optional)		II 1G Ex ia IIC T4 Ga		II 1D Ex ia IIIC T ₂₀₀ 135°C Da		II 3G Ex ic IIC T4 Gc

Wiring

Features:

Cable type: Shielded, 6 conductor cable , conductor AWG 24
 Cable diameter: Ø 6.2mm
 Cable length: 6.5m
 Cable jacket: PVC
 Shield not connected to element

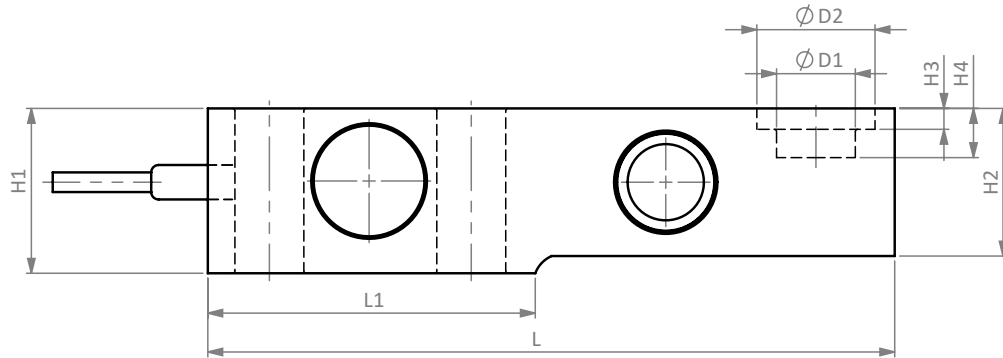
6-Wire Connection Diagram



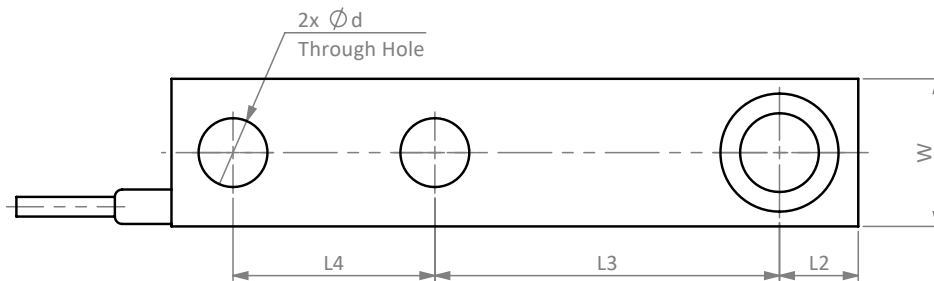
Specifications and dimensions are subject to change without notice and do not constitute any liability whatsoever.

Dimensions in mm

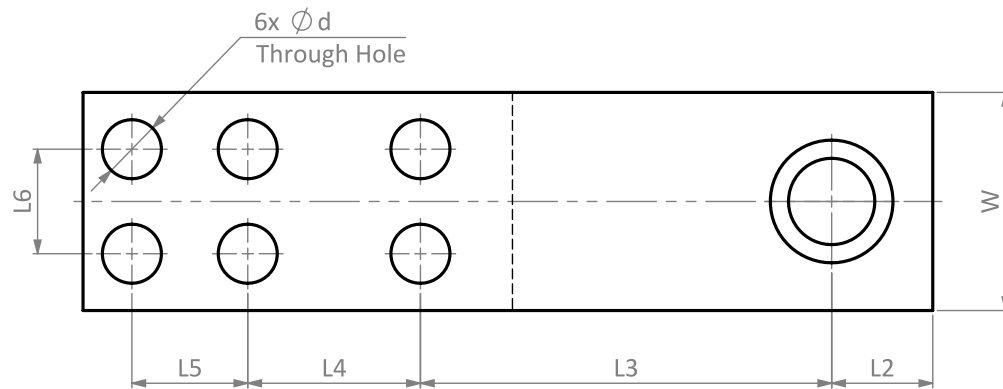
Front View



1t – 25t Top View

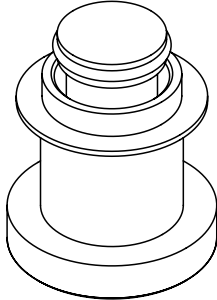
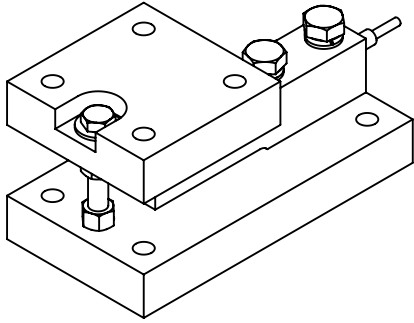


30t Top View



Dimension Capacity	H1	H2	H3	H4	ØD1	ØD2	Ød	W	L	L1	L2	L3	L4	L5	L6
1t-2t	43	37	12.5	30	16	32	13	37	203	95	22	98	64	-	-
2.5t	43	37	12.5	30	16	32	15	37	203	95	22	98	64	-	-
3t	43	37	12.5	25	16	32	15	37	203	95	22	98	64	-	-
5t	52	48	12.5	30	22	38	21	48	235	110	22	124	66	-	-
10t, 15t	67	60	8.5	20	32	48	28	60	279	133	32	140	82	-	-
20t, 25t	82.5	70	10	24	38	54	34	70	318	153	38	159	89	-	-
30t	115	90	14	32	38	54	26	96	374	189	44.5	181	76	51	46

Available Accessories

<p>HY-8-101-0.5-30t Load Button</p> <ul style="list-style-type: none">• Easy installation• Anti-corrosion• Good self-alignment ability• Mainly used for truck scales, platform scales and other electronic weighing devices	
<p>HM-8-401-0.5-20t Mount</p> <ul style="list-style-type: none">• Easy installation• Nickel plated alloy steel• Lift-off protection• Anti-overload Protection• Good self-alignment ability• Using under heavy static or slight dynamic load	
<p>HM-8-407-0.5-15t Mount</p> <ul style="list-style-type: none">• Nickel plated alloy Steel• Good self-alignment ability• Lift-off protection	