

General

Please read this **HM-8-903 Mount** installation manual carefully in order to profit fully from the load cell application.

Take care that the mounts and load cells are applied within their specifications. Certainly during installation, special attention should be paid to exceptional forces exceeding these specifications.

Install the mount(s) in such a way that all bottom plates are at the same level and in the same horizontal plane. The same goes for the top plates. Always check that the load cell and/or mount are not loaded with forces exceeding their specifications.

If large load displacements can be expected, stay rods should be applied in order to limit uncontrolled side forces. Always use shim plates to align mounts in the same horizontal plane and level.

Routine maintenance includes the optical inspection of bolts, plates and force bearing parts, as well as the removal of dirt, dust and debris built up near or between the load cell and/or mount in order to let it move freely.

| Capacity | Working height | Installation height | Mounting torque load cell |
|----------|---------------------|---------------------|---------------------------|
| 0.5 – 1t | 120 mm 4.72 inch | 120 mm 4.72 inch | 100 Nm 74 Lb ft |
| 1.5 – 2t | 120 mm 4.72 inch | 120 mm 4.72 inch | 100 Nm 74 Lb ft |
| 5t | 145 mm 5.71 inch | 145 mm 5.71 inch | 450 Nm 332 Lb ft |

Dimensions:

| Description | Dimensions 0.5 – 2t | Dimensions 5t: |
|---|---------------------|----------------|
| Top Plate | 140mm x 120mm | 150mm x 150mm |
| Bottom Plate | 200mm x 120mm | 240mm x 150mm |
| Total Height | 120mm | 145mm |
| Hex Bolt for load cell fastening | M12 x 70 | M18 x 80 |
| Hex Bolt for adjusting lift off protection | M8 x 20 | M8 x 20 |
| Hex Bolt for lift off protection | M16 x 20 | M16 x 20 |
| Hex Bolt for transport plate/earthing cable fastening | M8 x 12 | M8 x 12 |

Note: Please refer to the parts list on page 5 for an overview of all parts of the mount.

Detailed Specifications HM-8-903

| | | |
|--|----------------|-------|
| Capacity with load cell | 0.5t – 2t | 5t |
| Maximum vertical force (down) with dummy loadcell | 15 kN | 30 kN |
| Maximum vertical force (up) | 15 kN | 30 kN |
| Maximum horizontal force (with stay rod installed) | 20 kN | 40 kN |
| Maximum horizontal movement (without stay rod) | +1.5 / -1.5 mm | |

Assembly and Installation

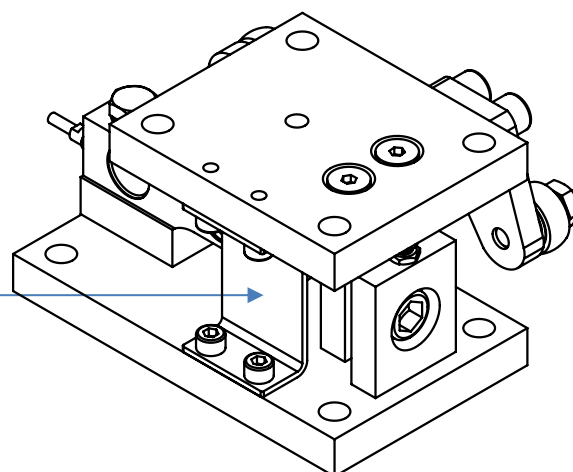
Assembly:

- Make sure the upper and base plate are correctly aligned (vertically).
- Verify if the transport plate is mounted and already fastened tightly.
- Loosen the hexagon bolts which assembled the loadcell dummy to the base plate.
- Remove the dummy (load cell).
- Assemble the separate pressure piece in the loadcell.
- Apply some high pressure grease to the surface of the pressure installed in the loadcell.
- Install the loadcell in the mount. To do this, insert the loadcell under an angle and make sure the rocker supports fit into each other.
- Make sure the spacer plate is located under the fastening end of the loadcell and put the bolts through the loadcell, spacer plate and fasten them into the base plate.
- **Note:** If you want to assemble a stay rod, please install it to the side holes on the mount.

Installation:

- Please lift the container/silo with 1 to 2mm so that the mount(s) can be placed underneath.
- Locate the mount(s) into the application and secure using the four lower and four upper fixing holes.
- Remove the transport plate from the mount by removing the 4 socket head screws. See drawing.
- Lower the container/silo again, so that the weight now rests on the installed loadcell(s) in the mount(s)
- Install the earthing cable to one of the bottom plate holes of the transport plate and one of the holes of the transport plate in the top plate, so that the top and bottom plate of the mount are connected.
- Now adjust the bolt and nut from the lift-off protection on the head side of the mount. Make sure the adjustable bolt doesn't touch the big bolt in the middle and fasten the nut to the steel element.
- **Only for assembly with stay rod:** Secure the stay rod tightly, but make sure it does not apply any force on the assembly!
- This is done by adjusting the middle part by rotating it. Now fasten the nuts on the sides of the middle part to make sure the set adjustment can't be changed.

Isometric View



Remove the transport plate once the actual loadcell has been properly installed.

Installation Manual HM-8-903

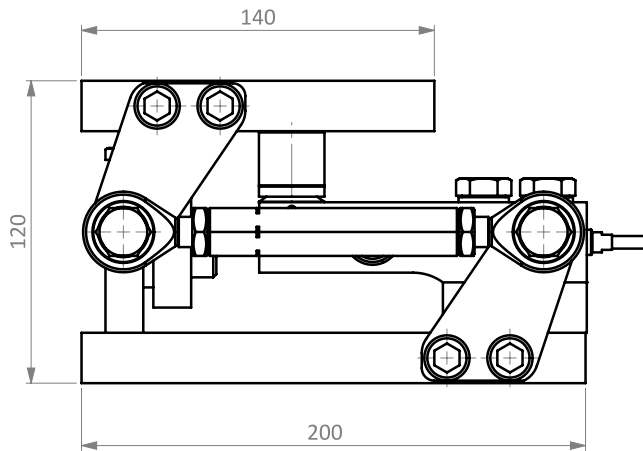
Mounting Kit



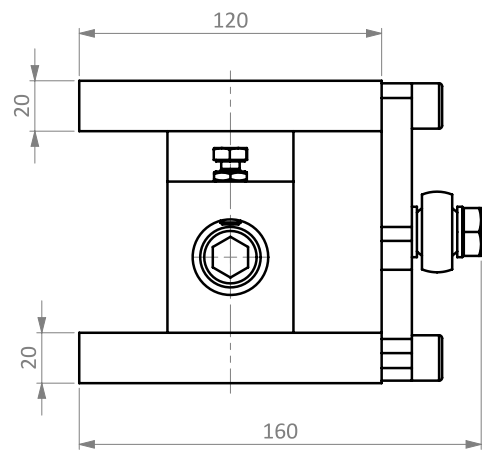
Dimensions in mm

0.5t – 2t

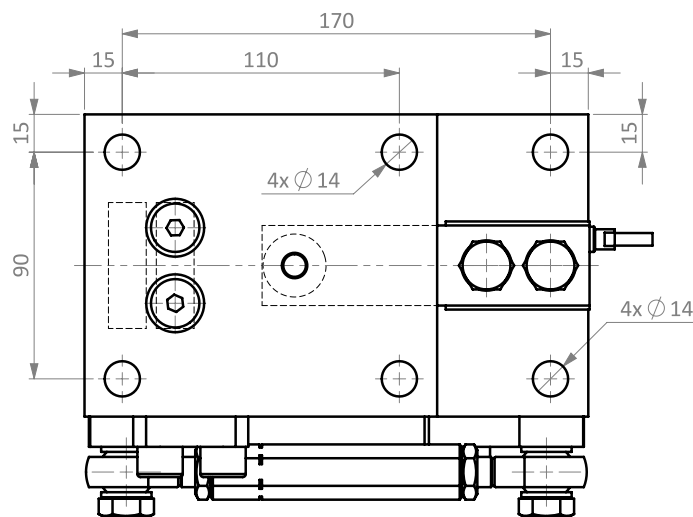
Side View



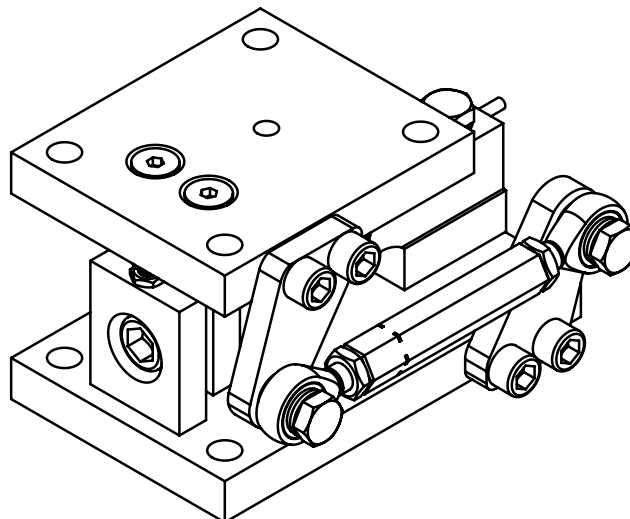
Front View



Top View



Isometric View



Specifications and dimensions are subject to change without notice and do not constitute any liability whatsoever.



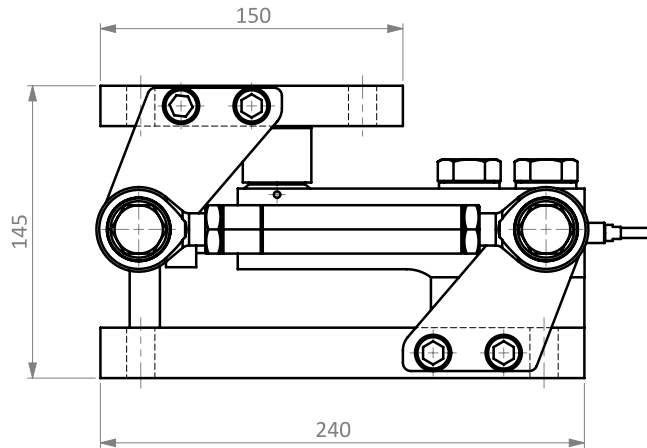
Installation Manual HM-8-903

Mounting Kit

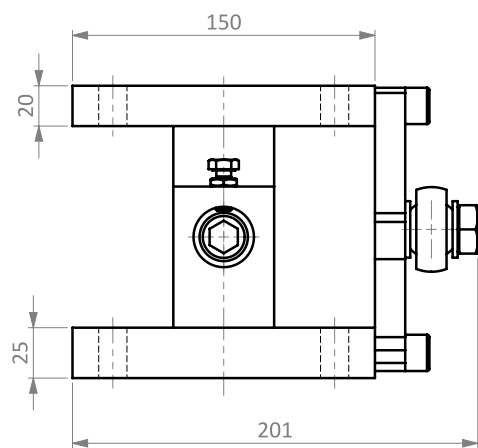


5t

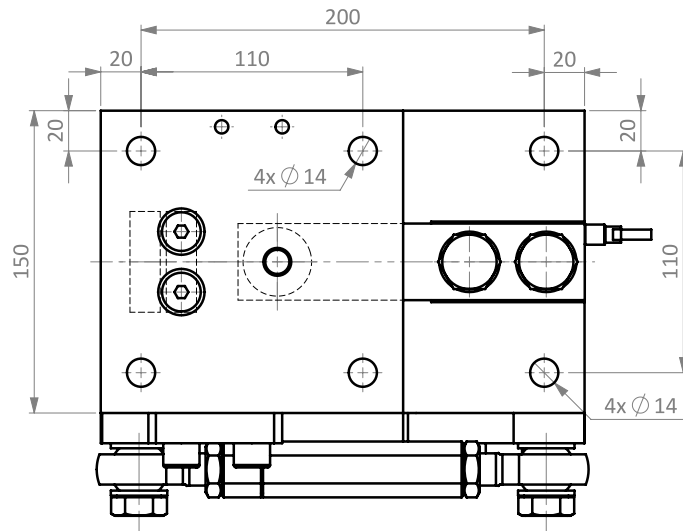
Side View



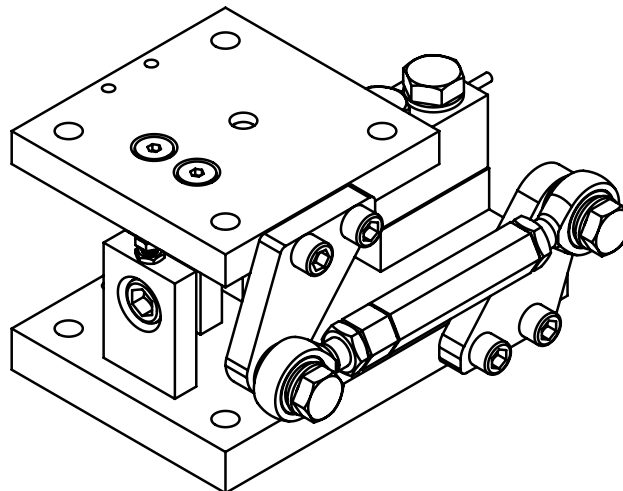
Front View



Top View



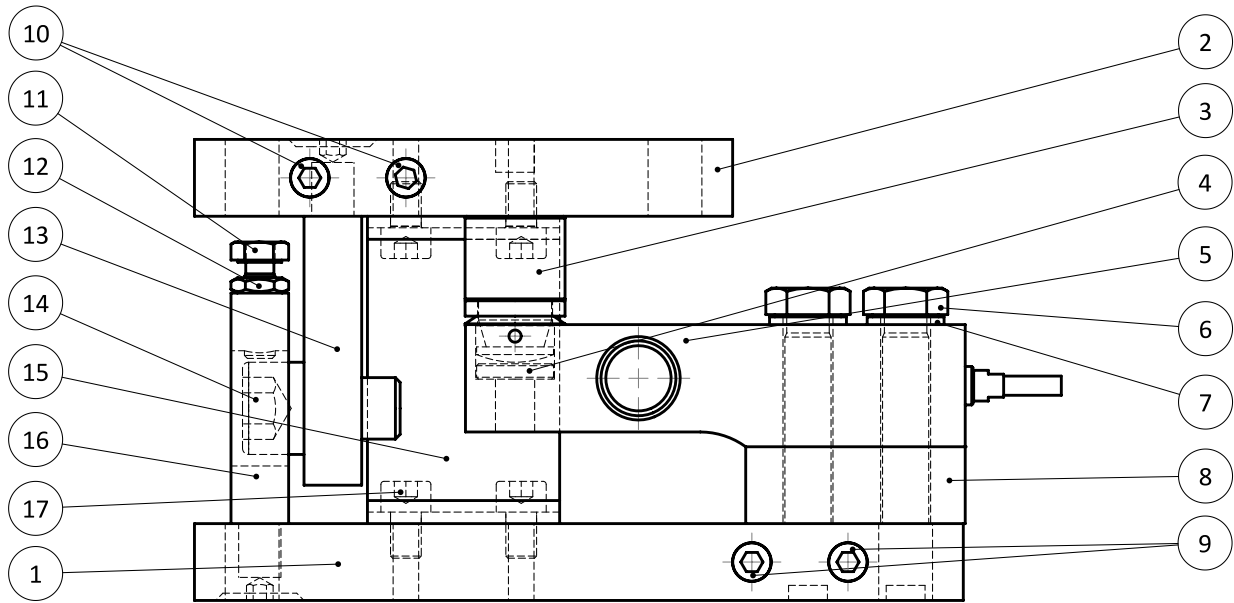
Isometric View



Specifications and dimensions are subject to change without notice and do not constitute any liability whatsoever.



Parts List HM-8-903



| No. | Description | Quantity | Dimensions 0.5 - 2t | Dimensions 5t |
|-----|---|----------|------------------------|------------------|
| 1 | Base plate | 1 | | |
| 2 | Top plate | 1 | | |
| 3 | Rocker support | 1 | | |
| 4 | Pressure piece (to be inserted in load cell) | 1 | | |
| 5 | Dummy loadcell / loadcell | 1 | | |
| 6 | Hex bolt for load cell fastening | 2 | M12 x 70 | M18 x 80 |
| 7 | Thin washer | 2 | | |
| 8 | Spacer plate | 1 | | |
| 9 | Inserts / Mounting holes for Stay-rod plate bottom | 2 | | |
| 10 | Inserts / Mounting holes for Stay-rod plate top | 2 | | |
| 11 | Hex bolt for adjusting lift off protection | 1 | M8 x 20 | M8 x 20 |
| 12 | Thin hex nut for lift off protection | 1 | | |
| 13 | Upper lift off protection | 1 | M16 x 20 | M16 x 20 |
| 14 | Hex bolt for lift off protection | 1 | | |
| 15 | Transport plate | 1 | | |
| 16 | Lower lift off protection | 1 | | |
| 17 | Hex bolt for transport plate/earthing cable fastening | 4 | M8 x 12 | M8 x 12 |
| - | Earthing cable | 1 | | |

Please note: Part list above is only for mounting kit without stay rod.