

Short Description

- Complete mounting set for quick and easy mounting
- This includes:
a loadcell dummy, transport plate, lift off protection and an earthing cable
- Galvanised alloy steel
- Mount delivered without working loadcell and without stay rod/rod end
Those parts need to be ordered separately
- To be used with Load Cell models: BM8H

Available Models

Model	Capacity	Full Article Description	Part Number
HM-8-903	0.5t – 1t	HM-8-903-0.5/1t	20820560
	1.5t – 2t	HM-8-903-1.5/2t	20820570
	5t	HM-8-903-5t	20820580
	0.1t – 2t	Rod End 0.1t-2t galv. Steel	20820660
	2.5t – 5t	Rod End 2.5t-5t galv. Steel	20820670

Technical Specifications HM-8-903

Capacity with load cell	0.5t – 2t	5t
Maximum vertical force (down) with dummy loadcell	15 kN	30 kN
Maximum vertical force (up)	15 kN	30 kN
Maximum horizontal force (with stay rod installed)	20 kN	40 kN
Maximum horizontal movement (without stay rod)	+1.5 / -1.5 mm	

Notes:

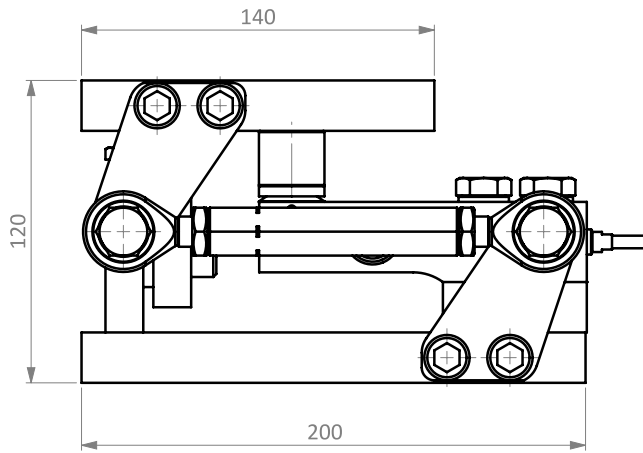
-When horizontal forces are expected in use, we recommend installing the stay rod.

Specifications and dimensions are subject to change without notice and do not constitute any liability whatsoever.

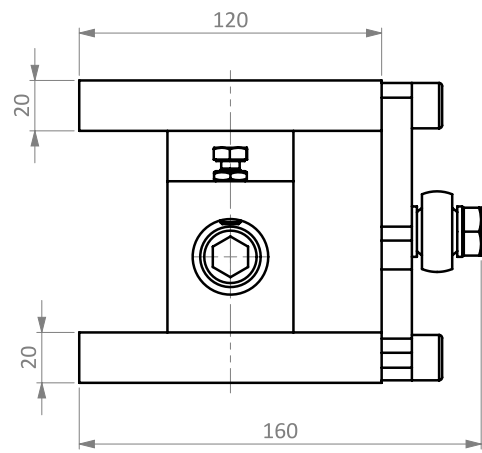
Dimensions in mm

0.5t – 2t

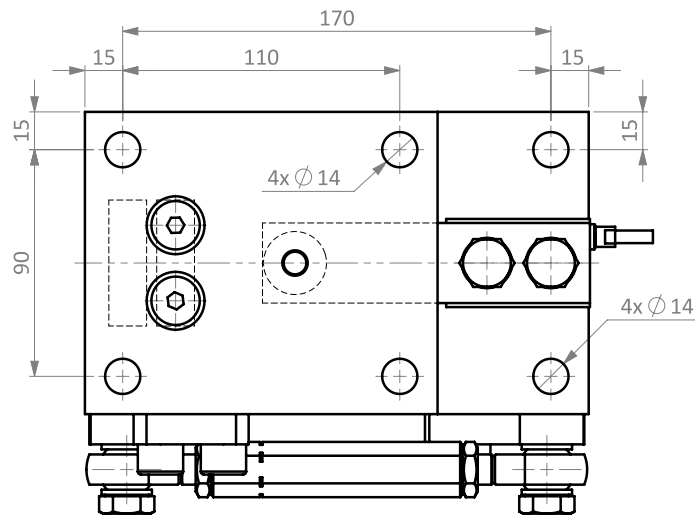
Side View



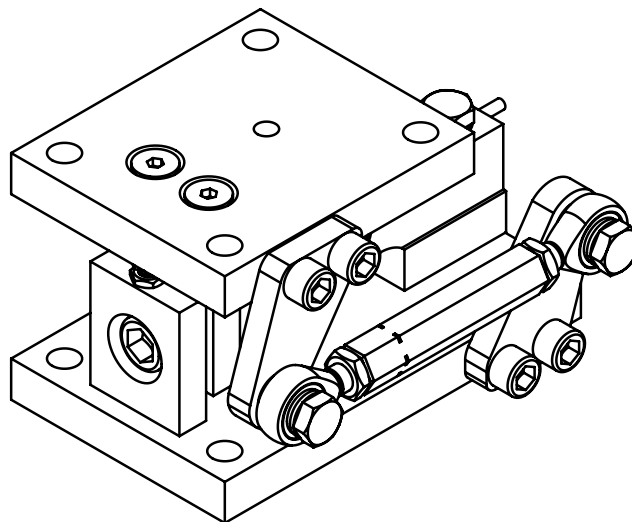
Front View



Top View



Isometric View

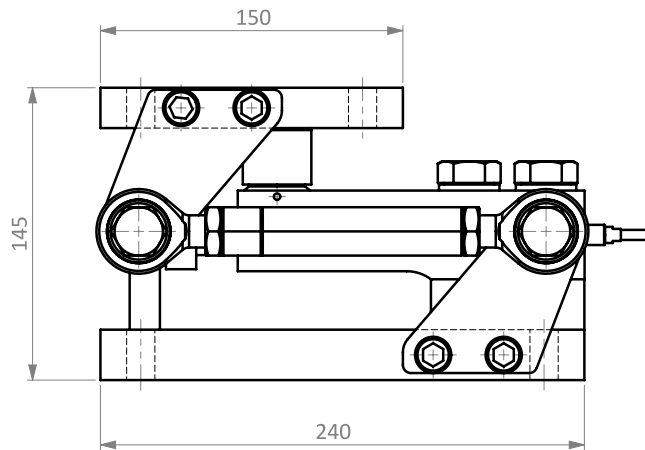


Specifications and dimensions are subject to change without notice and do not constitute any liability whatsoever.

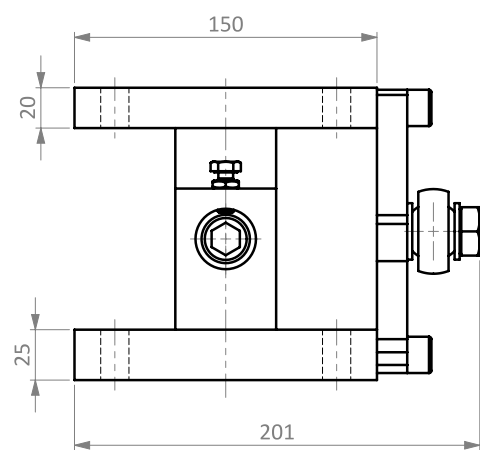
Mounting Set Type HM-8-903

5t

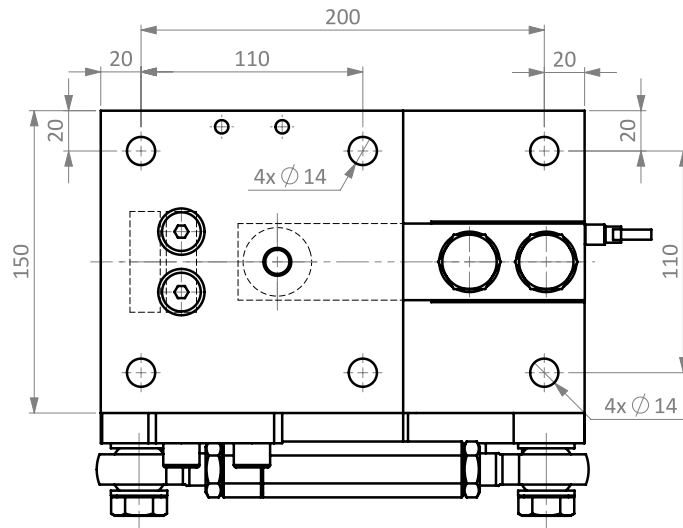
Side View



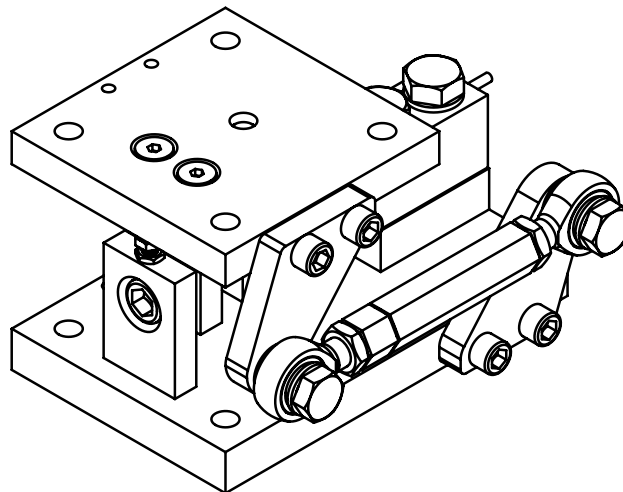
Front View



Top View



Isometric View



Specifications and dimensions are subject to change without notice and do not constitute any liability whatsoever.