



Short Description



- Complete mounting set for quick and easy mounting.
- This includes:
 - a loadcell dummy, transport plate, lift off protection and an earthing cable.
- Galvanised alloy steel.
- Mount delivered without working loadcell and without stay rod/rod end. Those parts need to be ordered separately.
- To be used with Load Cell models: H8C.

Available Models

Model	Capacity	Full Article Description	Part Number
HM-8-901	0.1t – 2t	HM-8-901-0.1t-2t	20820510
	2.5t – 5t	HM-8-901-2.5t-5t	20820520
	0.1t – 2t	Rod End 0.1t-2t galv. Steel	20820660
	2.5t – 5t	Rod End 2.5t-5t galv. Steel	20820670

Technical Specifications HM-8-901

Capacity with load cell	0.1t – 2t	2.5t – 5t
Maximum vertical force (down) with dummy loadcell	15 kN	30 kN
Maximum vertical force (up)	15 kN	30 kN
Maximum horizontal force (with stay rod installed)	20 kN	40 kN
Maximum horizontal movement (without stay rod)	+1.5 / -1.5 mm	

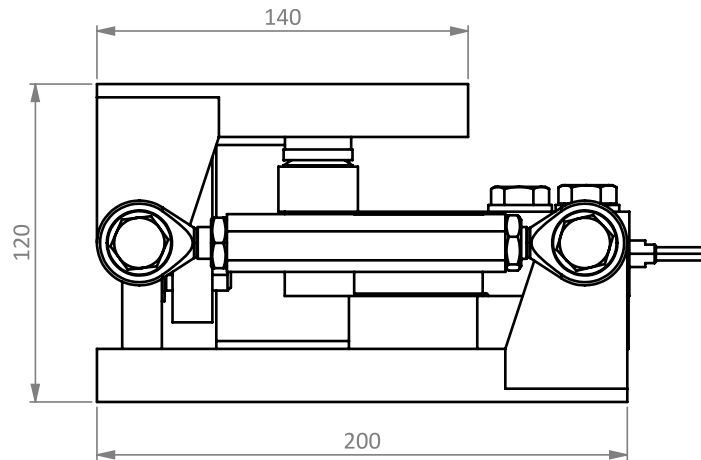
Notes:

-When horizontal forces are expected in use, we recommend installing the stay rod.

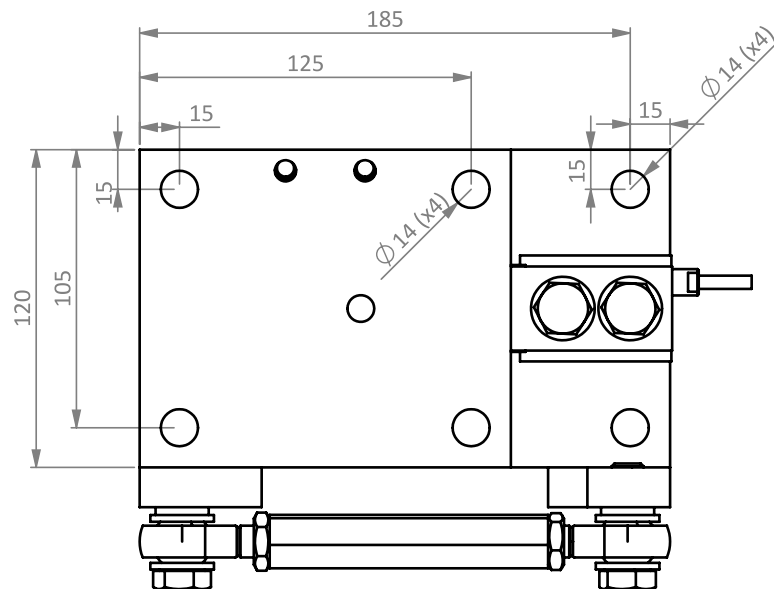
-Front View drawings show U-shaped transport plate installed. Please refer to installation manual.

Dimensions in mm

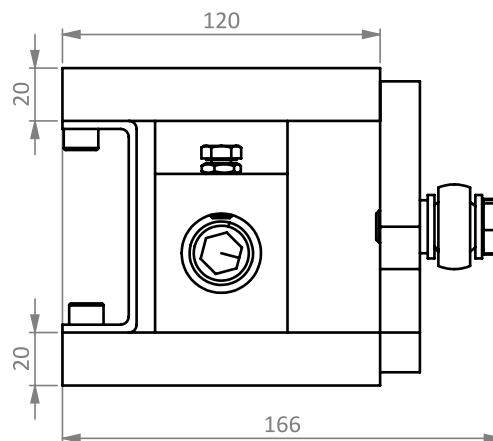
0.1t – 2t Side View



Top View



Front View



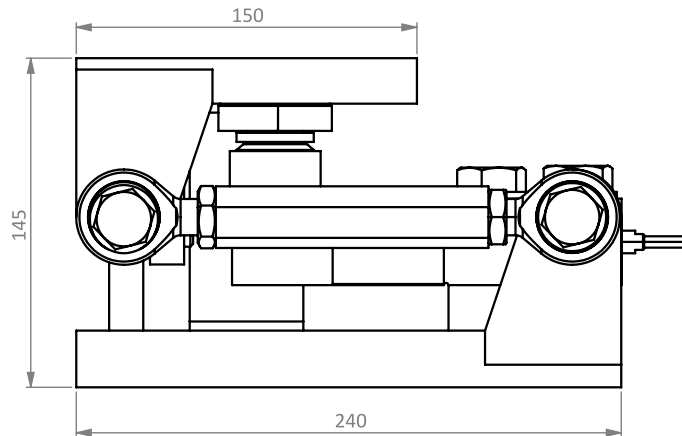
Specifications and dimensions are subject to change without notice and do not constitute any liability whatsoever.

Mounting Set Type HM-8-901

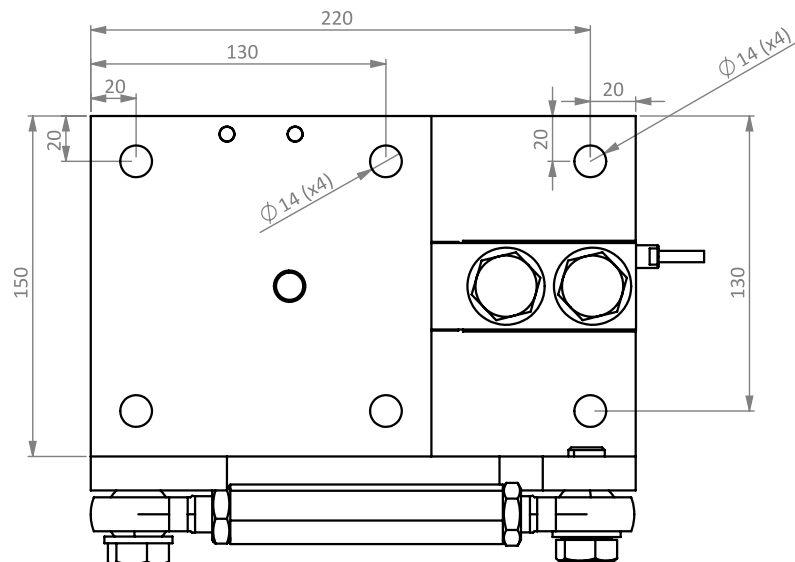


2.5t – 5t

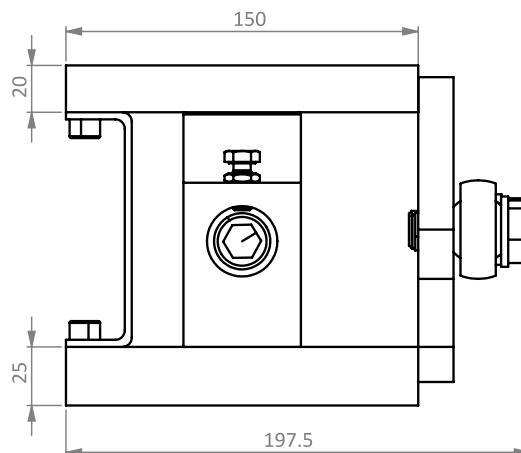
Side View



Top View



Front View



Specifications and dimensions are subject to change without notice and do not constitute any liability whatsoever.

