



Short Description



- Low construction height
- Easy installation
- Galvanised steel
- Can be used with Load Cell models: BM8D-W6 and H8C-W6

Available Models

Model	Capacity	Full Article Description	Part Number
HM-8-403	0.1 – 2t	HM-8-403-0.1/2t Rubber el. & flange	20830250
	2.5 – 5t	HM-8-403-5t Rubber element & flange	20830260

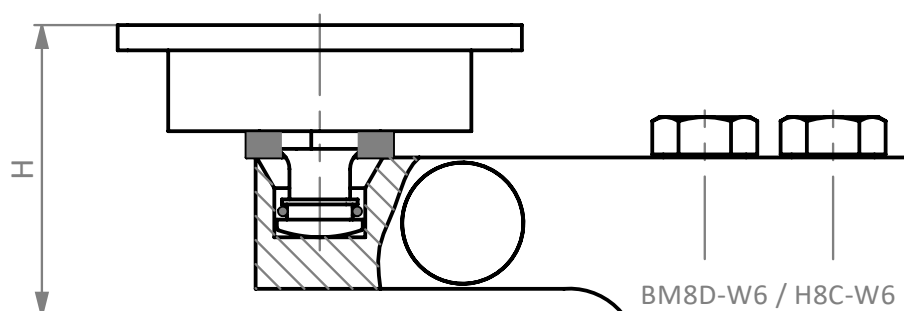
Available Accessories

Model	Capacity	Full Article Description	Part Number
Welding Plate	0.1 – 2t	HM-8-403-0.1/2t Welding Plate 80 x 80	20830230
	2.5 – 5t	HM-8-403-5t Welding Plate 100 x 100	20830240

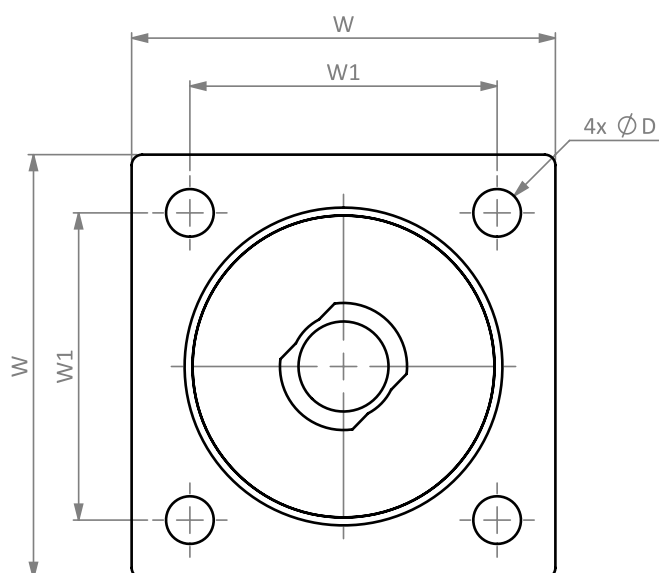
Specifications and dimensions are subject to change without notice and do not constitute any liability whatsoever.

Dimensions in mm

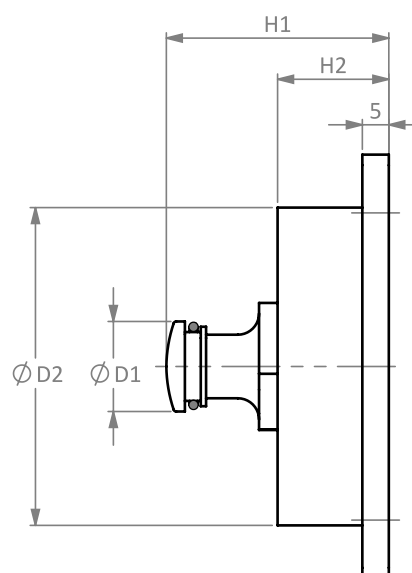
Front View



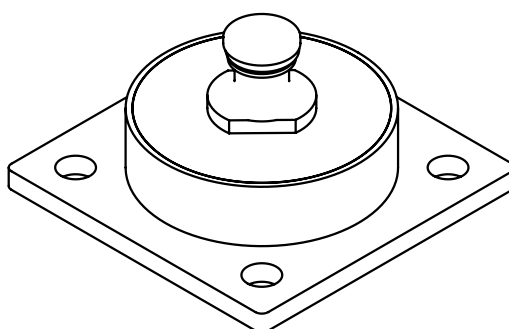
Top View



Side View



Isometric View



Dimension	W	W1	ØD	ØD1	ØD2	H	H1	H2
Capacity								
0.1t – 2t	80	58	9	17	60	56.5	42	21
2.5t – 5t	100	76	11	23.5	80	69.5	51.5	23

Specifications and dimensions are subject to change without notice and do not constitute any liability whatsoever.