

## Short Description

- Complete Mounting set for quick mounting without any problems.
- This includes:  
a loadcell dummy, transport plate, lift off protection and earthing cable.
- Nickel plated alloy steel
- Mount delivered without working loadcell and without rod end/stay rod.  
Those parts need to be ordered separately.
- Can be used with load cell models: BM14C and HM14C

## Available Models

Model	Capacity	Full Article Description	Part Number
HM-14-911	0.5t – 30t	HM-14-911-0.5t-30t	21402310
	0.5t – 30t	Rod End 0.5t-30t galv. Steel	21402360

## Detailed Specifications HM-14-911

Capacity with load cell	0,5t – 30t
Maximum vertical force (down) with dummy load cell	70 kN
Maximum vertical force (up)	35 kN
Maximum horizontal force (with stay rod installed)	45 kN
Maximum horizontal force (without stay rod installed)	5 kN
Maximum horizontal movement (without stay rod)	+2 / -2 mm

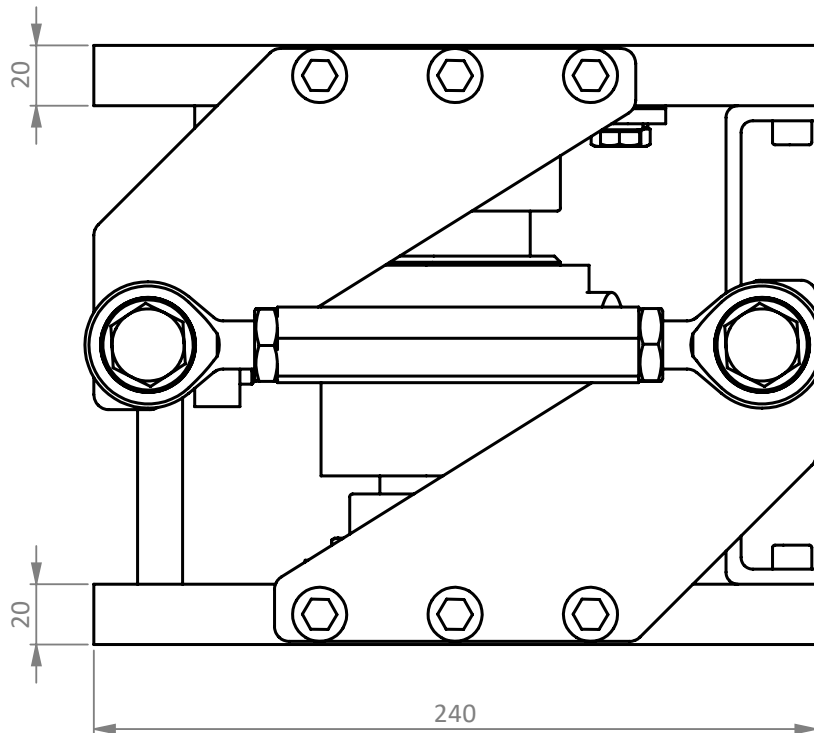
### Notes:

- When horizontal forces are expected in use, we highly recommend installing the stay rod.
- Dimensional drawings show stay rod and transport plate installed.

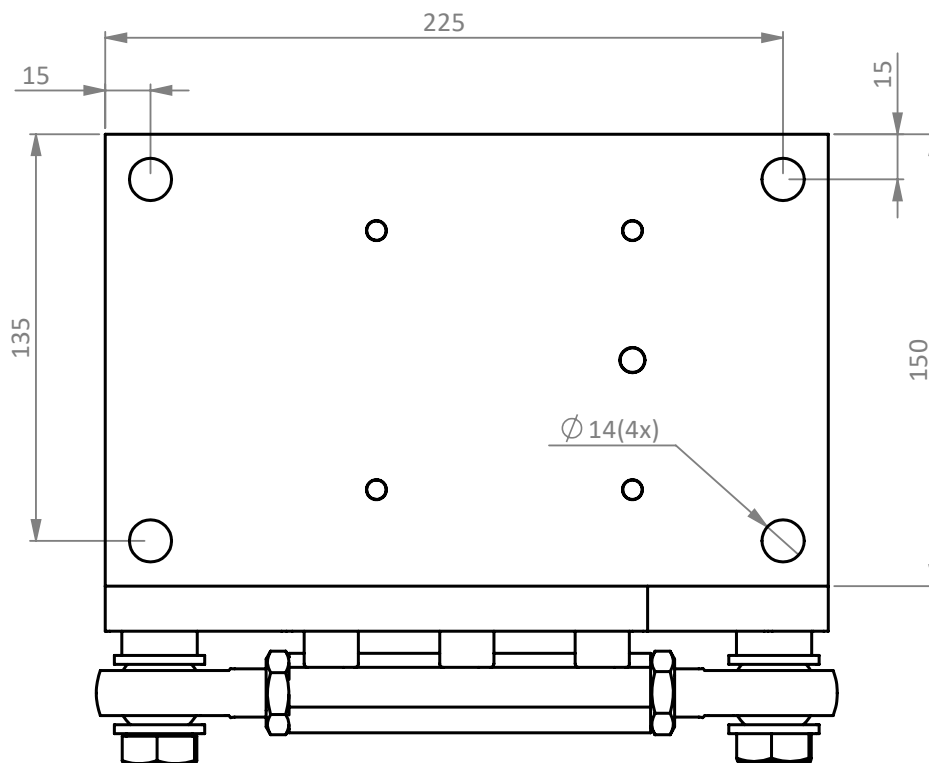
Specifications and dimensions are subject to change without notice and do not constitute any liability whatsoever.

## Dimensions in mm

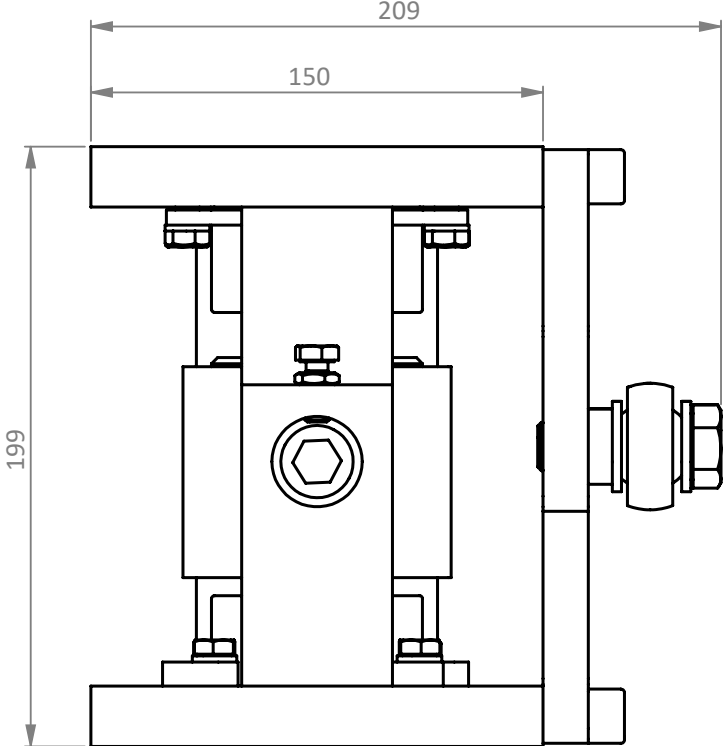
### Side View:



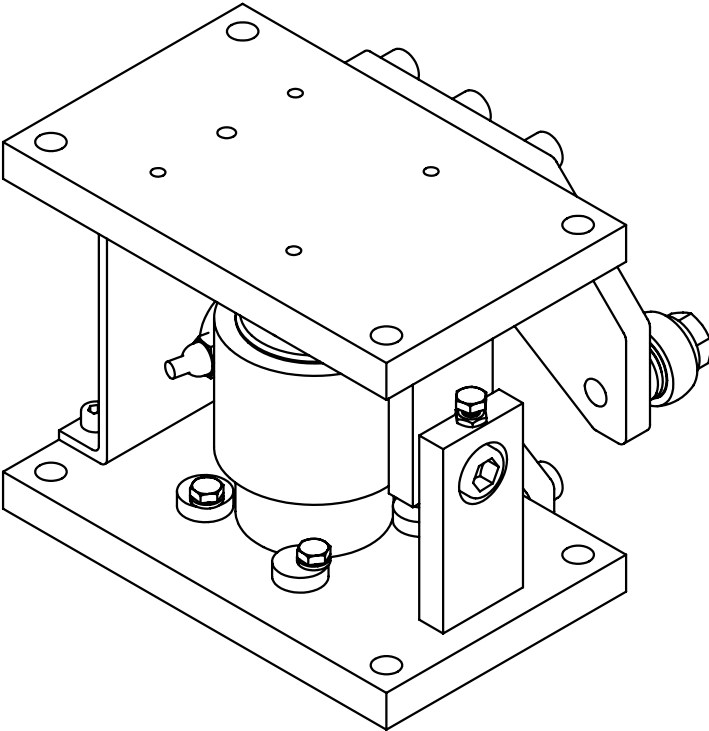
### Top View:



Front View:



Isometric View:



Specifications and dimensions are subject to change without notice and do not constitute any liability whatsoever.