



Short description



- Easy installation
- Alloy steel
- Can be used with load cell models: H3, H3F, H3G, B3G and BM3

Available models

Model	Capacity	Full article description	Part number
HL-3-003	25-100kg	HL-3-003-25/50/100kg-LM M8	2030110
HL-3-003	100-150kg	HL-3-003-100/150kg-LM M10	2030120
HL-3-003	200-1000kg	HL-3-003-200/1000kg-LM	2030140
HL-3-003	1500kg	HL-3-003-1500kg-LM M12x1.75	2030141
HL-3-003	2-3t	HL-3-003-2/3t-LM M20x1.5	2030150
HL-3-003	5t	HL-3-003-5t-LM M20x1.5	2030160
HL-3-003	5-7.5t	HL-3-003-5/6/7.5t M24x2.0	2030162
HL-3-003	10t	HL-3-003-10t-LM M30x2.0	2030170
HL-3-003	15-20t	HL-3-003-15/20t-LM M42x3.0	2030172

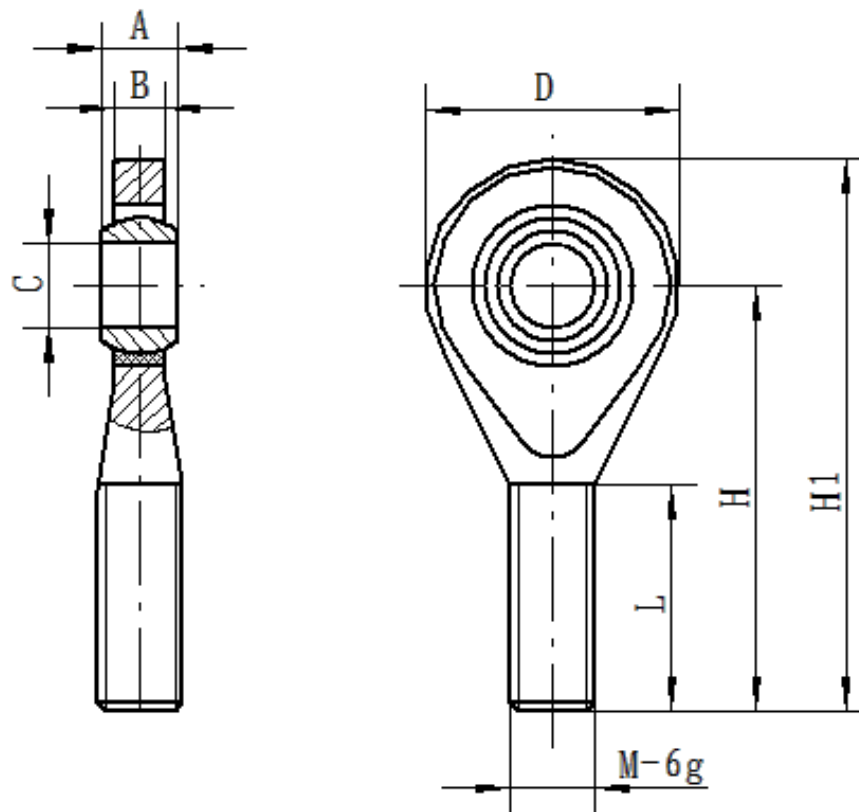
Technical specifications HL-3-003

Capacity	25-50kg	100-150kg	200-1000kg	1.5t	2-3t	5t	5-7.5t	10t	15/20t
Max static lifting weight	200kg	500kg	1.08t	3.0t	4.0t	6.0t	10t	18.4t	26.3t
Max dynamic lifting weight	22kg	70kg	0.49t	0.74tt	1.6t	2.4t	4.3t	16.8t	12.7t

Note: Expressed maximum forces refer to this mount, without load cell installed. The maximal mounting force is dependent on the applied dynamic force.

Specifications and dimensions are subject to change without notice and do not constitute any liability whatsoever.

Dimensions in mm



Dimension type	Capacity	A	B	C	D	H	H1	M x P x L
HL-3-003	25-50kg	8	6.5	8	25	42	56	M8 x 1.25 x 21
HL-3-003	100-150kg	9	7.5	10	30	48	65	M10 x 1.5 x 26
HL-3-003	200kg-1t	10	8.5	12	35	54	73	M12 x 1.75 x 28
HL-3-003	1.5t	16	13.5	20	54	63	92	M12 x 1.75 x 28
HL-3-003	2t-3t	16	13.5	20	54	78	107	M20 x 1.5 x 43
HL-3-003	5t	25	18	20	50	78	103	M20 x 1.5 x 47
HL-3-003	5t-7.5t	20	16	25	62	94	125	M24 x 2 x 57
HL-3-003	10t	37	25	30	70	110	145	M30 x 2.0 x 71
HL-3-003	15t-20t	32	27	45	102	163	214	M42 x 3.0 x 94

Specifications and dimensions are subject to change without notice and do not constitute any liability whatsoever.