



Short description

- Easy installation
- Alloy steel
- Can be used with load cell models: H3, H3F, H3G, B3G and BM3

Available models

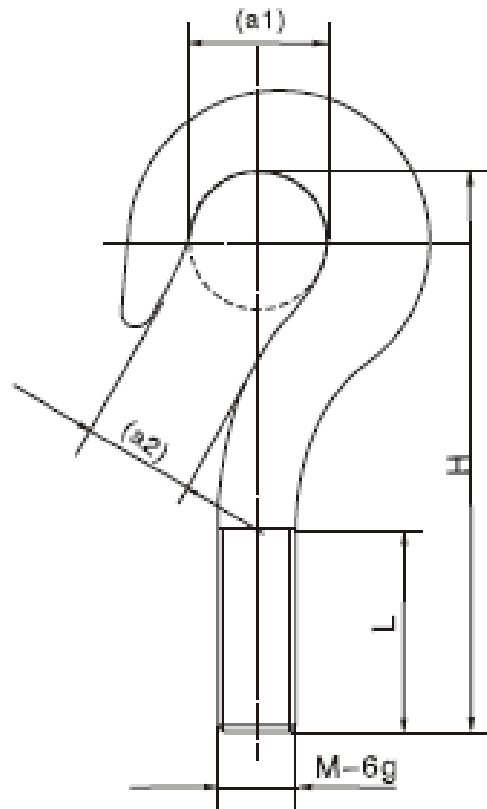
Model	Capacity	Full article description	Part number
HL-3-001	25kg-50kg	HL-3-001-25/50kg-LM	2030010
HL-3-001	100kg-150kg	HL-3-001-100/150kg-LM	2030020
HL-3-001	200kg-300kg	HL-3-001-200/300kg-LM	2030030
HL-3-001	500kg-750kg	HL-3-001-500/750kg-LM	2030035
HL-3-001	1t-1.5t	HL-3-001-1/1.5t-LM	2030036
HL-3-001	2t-3t	HL-3-001-2/3t-LM	2030033
HL-3-001	5t	HL-3-001-5t-LM	2030034

Technical specifications HL-3-001

Capacity	25-50kg	100-150kg	200-300kg	500-750kg	1-1.5t	2-3t	5t
Static lifting weight	0.25t	0.25t	0.4t	0.8t	1.6t	3.2t	6.3t

Specifications and dimensions are subject to change without notice and do not constitute any liability whatsoever.

Dimensions in mm



Dimension type	Capacity	a1	a2	H	M x P x L
HL-3-001	25-50kg	25	20	97.5	M8 x 1.25 x 24
HL-3-001	100-150kg	25	20	97.5	M10 x 1.5 x 26
HL-3-001	200-300kg	28	22	106	M12 x 1.75 x 28
HL-3-001	500-750kg	34	27	135.5	M12 x 1.75 x 28
HL-3-001	1t-1.5t	40	32	152.5	M12 x 1.75 x 28
HL-3-001	2t-3t	48	38	183	M20 x 1.5 x 35
HL-3-001	5t	56	45	221	M20 x 1.5 x 35

Specifications and dimensions are subject to change without notice and do not constitute any liability whatsoever.