



Short Description

- Height adjustable foot
- Easy installation
- Nickel plated alloy steel
- Can be used with load cell models: B8D, BM8D and H8C

Available Models

Model	Capacity	Full Article Description	Part Number
HJ-8-201	0.1t – 2t	HJ-8-201-0.1t/2t	20800100
	2.5t – 5t	HJ-8-201-2.5t/5t (M18x1.5)	20800200
	2.5t – 5t	HJ-8-201-2.5t/5t (M20x2.5)	20800210
	10t	HJ-8-201-10t	20800500

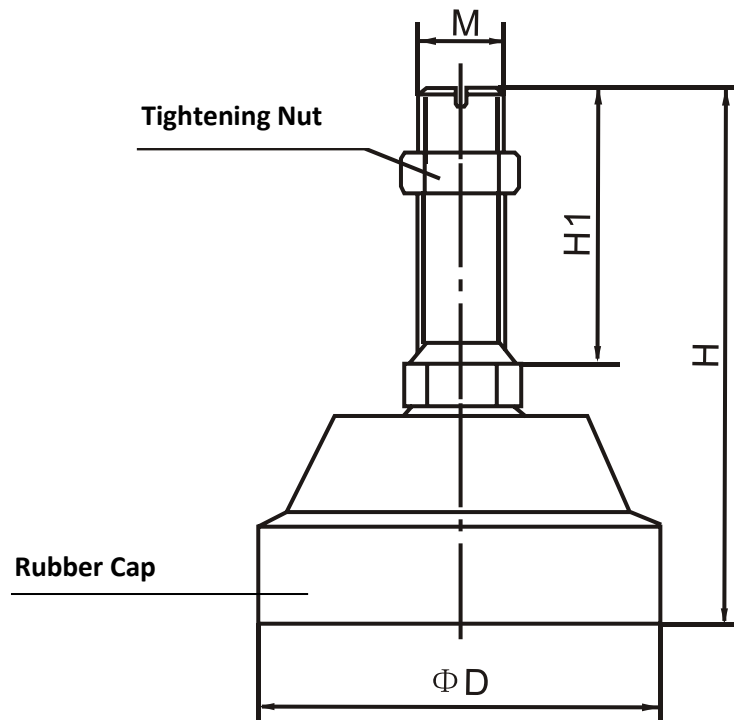
Detailed Specifications HJ-8-201

Capacity with load cell	0.1t – 2t	2.5t – 5t	2.5t – 5t	10t
Maximum vertical force (down)	30kN	70kN	70kN	130kN
Maximum horizontal movement	+1 / -1 mm			

Note: Expressed maximum forces refer to this mount, without load cell installed.

Dimensions in mm

Side View



Dimension Type	Capacity	ΦD	H	H1	M
HJ-8-201	0.1t – 2t	60	92	50	M12 x 1.75
	2.5t – 5t	80	105	50	M18 x 1.5
	2.5t – 5t	80	105	50	M20 x 2.5
	10t	86	112	50	M24 x 2