



Short Description



- Nickel plated alloy steel IP67 shear beam load cell
- Suitable for truck-, track and hopper scales
- Suitable for hazardous locations



Test certificate no. D09-05.20
C of C no R60/2000-CN1-06.09

Available Models

Capacity	Accuracy	Full Article Description
500kg	C3 Excluded from OIML	H8-C3-500kg-4B6
1t	C3 Excluded from OIML	H8-C3-1t-4B6
2t	C3 Excluded from OIML	H8-C3-2t-4B6
2.5t	C3 Excluded from OIML	H8-C3-2.5t-4B6
3t	C3 Excluded from OIML	H8-C3-3t-4B6
5t	C3	H8-C3-5t-6.5B6
10t	C3	H8-C3-10t-12B6
15t	C3	H8-C3-15t-12B6
20t	C3	H8-C3-20t-12B6
25t	C3	H8-C3-25t-12B6
30t	C3	H8-C3-30t-12B6

Technical Specifications H8

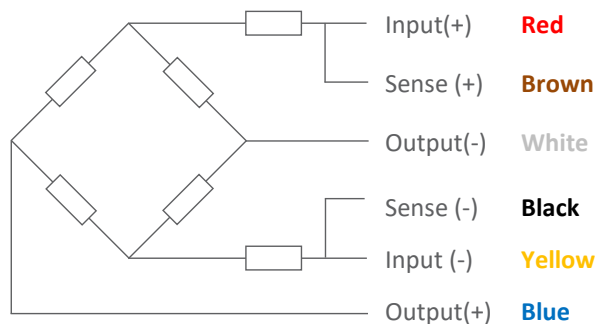
Accuracy Class		C3	OIML R60 C3	
Output Sensitivity (= FS)	mV/V	2.0 ± 0.002		
Maximum Capacity (E _{max})	t	0.5, 1, 2, 2.5, 3	5, 10, 15, 20	25, 30
Max. Number of Load Cell Intervals	n _{LC}	3000		
Ratio of min. LC Verification Interval	$Y = E_{max} / v_{min}$	10000	10000	15000
Combined Error	%FS	≤± 0.023		
Creep Error (30 minutes)	%FS	≤± 0.016		
Temperature Effect on Zero (ZTC)	%FS/10°C	≤± 0.015		
Temperature Effect on Sensitivity (STC)	%FS/10°C	≤± 0.011		
Zero Balance	%FS	≤± 1.5		
Safe Overload	%FS	150		
Ultimate Overload	%FS	300		
Excitation, Recommended Voltage	V	5 ~ 12		
Excitation, Maximum Voltage	V	18		
Input Resistance	Ω	350 ± 3.5		
Output Resistance	Ω	351 ± 2		
Insulation Resistance (50V)	MΩ	≥5000 (at 50VDC)		
Compensated Temperature	°C	-10 ~ +40		
Operating Temperature	°C	-35 ~ +65		
Storage Temperature	°C	-40 ~ +70		
Load Cell Weight	kg	0.5t – 5t: 2.4	10t -15t: ~8	20t – 30t: ~14
Element Material		Nickel Plated Alloy Steel		
Ingress Protection (acc. to EN 60529)		IP67		
Recommended Torque on Fixation Bolts	Nm	M12: 75	M14:120	M20:450 M27:1075 M33:1975
ATEX Classification (optional)		II1G Ex ia II1C T4	II1D Ex iaD 20 T73°C	II3G Ex nL IIC T4

Wiring

Features:

Cable type: Shielded, 6 conductor cable , conductor AWG 24
 Cable diameter: Ø 6.2mm
 Cable length: 0.5t – 2t: 4m, 5t: 6.5m, 10t – 30t: 12m
 Cable jacket: PVC
 Shield not connected to element

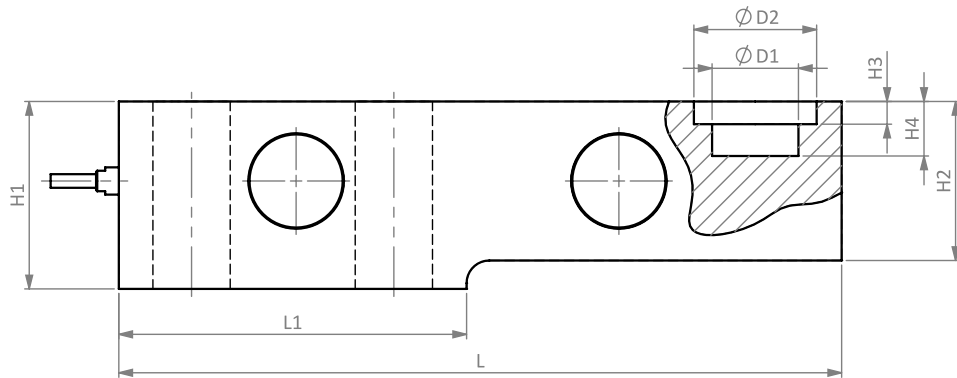
6-Wire Connection Diagram



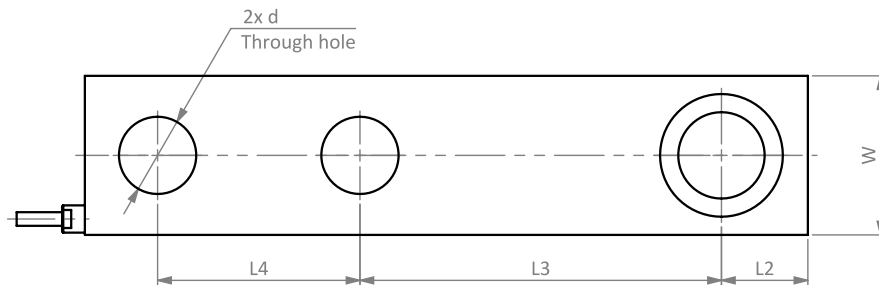
Specifications and dimensions are subject to change without notice and do not constitute any liability whatsoever.

Dimensions in mm

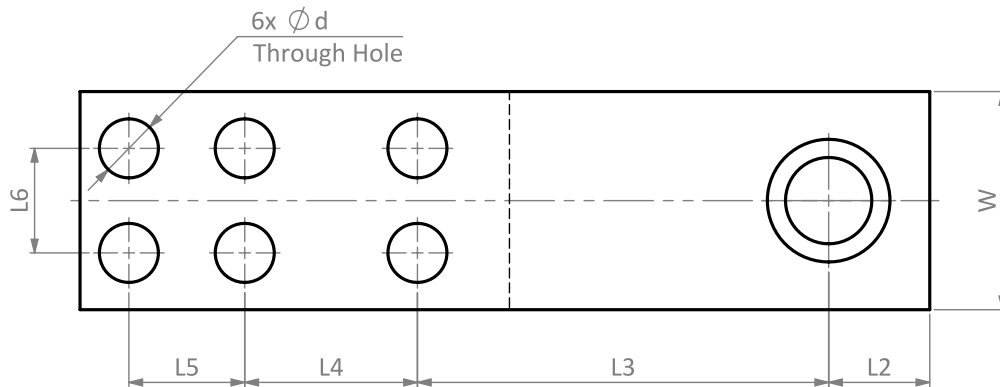
Front View



0.5t – 25t Top View

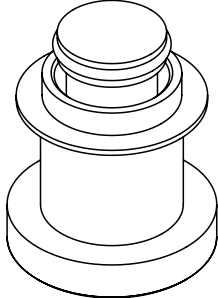
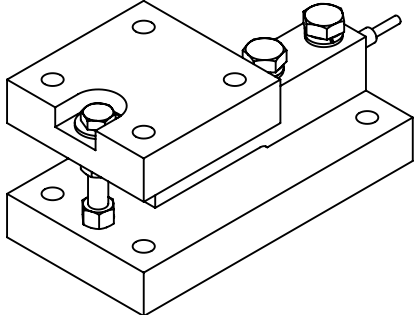


30t Top View



Dimension Capacity	H1	H2	H3	H4	ØD1	ØD2	Ød	W	L	L1	L2	L3	L4	L5	L6
0.5t-2t	43	37	12.5	30	16	32	13	37	203	95	22	98	64	-	-
2.5t	43	37	12.5	30	16	32	15	37	203	95	22	98	64	-	-
3t	43	37	12.5	25	16	32	15	37	203	95	22	98	64	-	-
5t	52	48	12.5	30	22	38	21	48	235	110	22	124	66	-	-
10t	67	60	8.5	20	32	48	28	60	279	133	32	140	82	-	-
15t	67	60	8.5	20	32	48	28	60	279	133	32	140	82	-	-
20t, 25t	82.5	70	10	24	38	54	34	70	318	153	38	159	89	-	-
30t	115	90	14	32	38	54	26	96	374	189	44.5	181	76	51	46

Available Accessories

<p>HY-8-101-05-30t Load Button</p> <ul style="list-style-type: none">• Easy installation• Anti-corrosion• Good self-alignment ability• Mainly used for truck scales, platform scales and other electronic weighing devices	
<p>HM-8-401-0.5-20t Mount</p> <ul style="list-style-type: none">• Easy installation• Nickel plated alloy steel• Lift-off protection• Anti-overload Protection• Good self-alignment ability• Using under heavy static or slight dynamic load	
<p>HM-8-407-0.5-15t Mount</p> <ul style="list-style-type: none">• Nickel plated alloy Steel• Good self-alignment ability• Lift-off protection	