



Short Description



- Nickel plated alloy steel IP67, “S” type load cell
- Tension and compression applications
- Suitable for hanging, hopper and other weighing devices
- Also available in imperial capacities and dimensions



Test certificate no. TC7866 Revision 0
C of C no R60/2000-CNI-00.01



Certificate no. 06-099A1

Available Models

Capacity	Accuracy	Full article description
50kg	C3	H3G-C3-50kg-6B
100kg	C3	H3G-C3-100kg-6B
250kg	C3	H3G-C3-250kg-6B
500kg	C3 Excluded from OIML	H3G-C3-500kg-6B
1t	C3 Excluded from OIML	H3G-C3-1t-6B
2.5t	C3 Excluded from OIML	H3G-C3-2.5t-6B
5t	C3 Excluded from OIML	H3G-C3-5t-6B
7.5t	C3 Excluded from OIML	H3G-C3-7.5t-6B

Specifications and dimensions are subject to change without notice and do not constitute any liability whatsoever.

Technical Specifications H3G

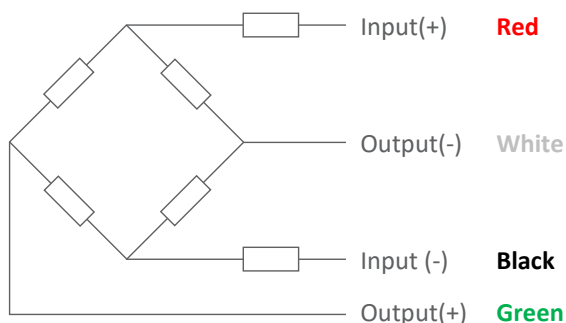
Accuracy Class		OIML R60 C3	C3		
Output Sensitivity (= FS)	mV/V	3.0 ± 0.008			
Maximum Capacity (E _{max})	t	0.05, 0.1, 0.25	0.5, 1, 2.5, 5, 7.5		
Max. Number of Load Cell Intervals	n _{LC}	3000			
Ratio of min. LC Verification Interval	$Y = E_{max} / V_{min}$	15000	14000		
Combined Error	%FS	≤± 0.020			
Creep Error (30 minutes)	%FS	≤± 0.016			
Temperature Effect on Zero (ZTC)	%FS/10°C	≤± 0.015			
Temperature Effect on Sensitivity (STC)	%FS/10°C	≤± 0.011			
Zero Balance	%FS	≤± 1.0			
Safe Overload	%FS	150			
Ultimate Overload	%FS	300			
Maximum Deflection	mm	0.1935 ~ 0.4079			
Excitation, Recommended Voltage	V	5 ~ 12			
Excitation, Maximum Voltage	V	18			
Input Resistance	Ω	430 ± 60			
Output Resistance	Ω	351 ± 2			
Insulation Resistance (50V)	MΩ	≥5000			
Compensated Temperature	°C	-10 ~ + 40			
Operating Temperature	°C	-35 ~ + 65			
Storage Temperature	°C	-40 ~ + 70			
Load Cell Weight	kg	0.05t-1.0t: ~0.7	2.5t: 1.0	5.0t: 1.5	7.5t: 3.0
Element Material		Nickel Plated Alloy Steel			
Ingress Protection (acc. to EN 60529)		IP67			
Recommended Torque on Fixation Bolts	Nm	M8:25	M12:75	M20:450	M24:750
ATEX Classification (optional)		II1G Ex ia II1C T4	II1D Ex iaD 20 T73°C	II3G Ex nL IIC T4	

Wiring

Features:

Cable type: Shielded, 4 conductor cable , conductor AWG 22
 Cable diameter: Ø 5.0mm
 Cable length: 6m
 Cable jacket: Polyurethane
 Shield not connected to element

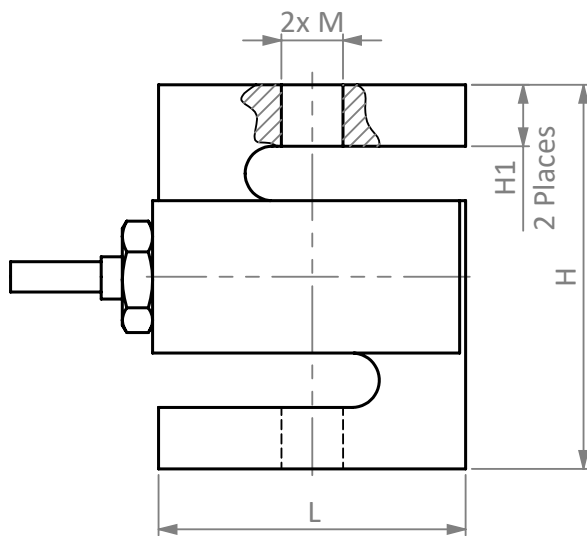
4-Wire Connection Diagram



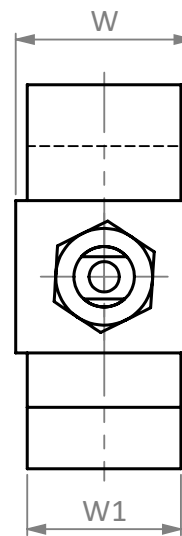
Specifications and dimensions are subject to change without notice and do not constitute any liability whatsoever.

Dimensions in mm

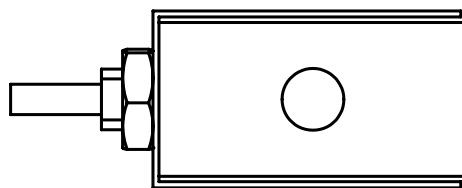
Side View



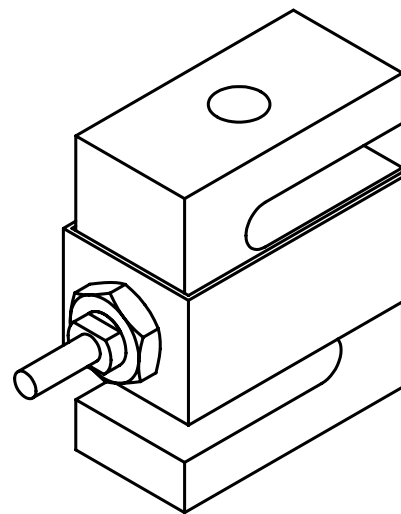
Back View



Top View

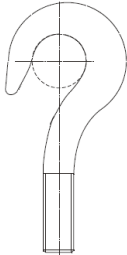
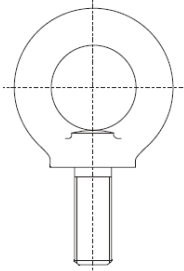
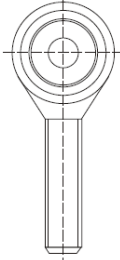
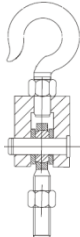


Isometric View



Dimension Capacity	L	H	H1	W1	W	H1	M
50-100kg	50.8	63.5	10.16	12.7	16.5	10.2	M8 x 1.25
250-500kg	50.8	63.5	10.16	19.05	22.8	10.2	M12 x 1.75
1t	50.8	63.5	10.16	25.4	29.2	10.2	M12 x 1.75
2.5t	76.2	101.6	15.2	25.4	29.2	15.2	M20 x 1.5
5t	76.2	101.6	20	25.4	29.2	20	M20 x 1.5
7.5t	101.6	139.7	30	31.75	35.5	31	M24 x 2

Available accessories

<p>HL-3-001-25kg-5t hook</p> <ul style="list-style-type: none"> • Alloy Steel • Suitable for hybrid scales, crane scales, packaging scales and hopper scales 	
<p>HL-3-002-25kg-5t eye</p> <ul style="list-style-type: none"> • Alloy Steel • Suitable for hybrid scales, crane scales, packaging scales and hopper scales 	
<p>HL-3-003-25kg-5t rod end</p> <ul style="list-style-type: none"> • Alloy Steel • Suitable for hybrid scales, crane scales, packaging scales, hopper scales and other electronic weighing devices 	
<p>HL-3-004-25kg-5t hook assembly</p> <ul style="list-style-type: none"> • Alloy Steel • Suitable for hybrid scales, crane scales, packaging scales, hopper scales and other electronic weighing devices 	
<p>HL-3-005-25kg-5t eye assembly</p> <ul style="list-style-type: none"> • Alloy Steel • Suitable for hybrid scales, crane scales, packaging scales, hopper scales and other electronic weighing devices 	