

Short Description



- Nickel plated alloy steel IP65 load cell
- High accuracy
- Suitable for suspension force measurement

Available Models

Capacity	Accuracy	Full Article Description
3110N	G5	H2B-G5-3110N-2B

Technical Specifications H2B

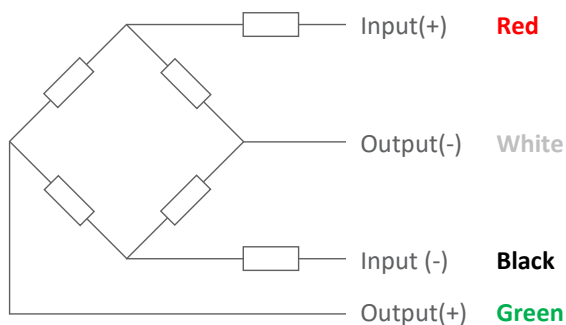
Accuracy Class		G5
Output Sensitivity (= FS)	mV/V	1.5 ± 0.2
Maximum Capacity (E _{max})	N	3110
Combined Error	%FS	≤± 0.50
Creep Error (30 minutes)	%FS	≤± 0.05
Temperature Effect on Zero (ZTC)	%FS/10°C	≤± 0.2
Temperature Effect on Sensitivity (STC)	%FS/10°C	≤± 0.05
Zero Balance	%FS	≤± 0.06
Safe Overload	%FS	120
Ultimate Overload	%FS	150
Maximum Deflection	mm	0.26
Excitation, Recommended Voltage	V	5 ~ 8
Excitation, Maximum Voltage	V	10
Input Resistance	Ω	375 ± 5
Output Resistance	Ω	350 ± 3
Insulation Resistance (50V)	MΩ	≥2000
Compensated Temperature	°C	-10 ~ + 40
Operating Temperature	°C	-10 ~ + 40
Storage Temperature	°C	-35 ~ + 65
Load Cell Weight	kg	~0.1
Element Material		Nickel Plated Alloy Steel
Ingress Protection (acc. to EN 60529)		IP65
Recommended Torque on Fixation Bolts	Nm	M6: 10

Wiring

Features:

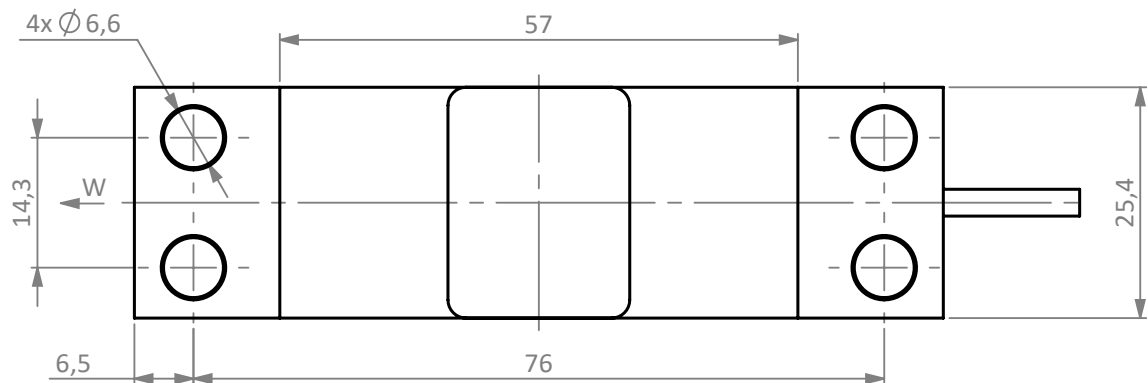
Cable type: Shielded, 4 conductor cable , conductor AWG 28
 Cable diameter: Ø 2.95mm
 Cable length: 2.0m ± 0.02m
 Cable jacket: PVC
 Shield not connected to element

4-Wire Connection Diagram

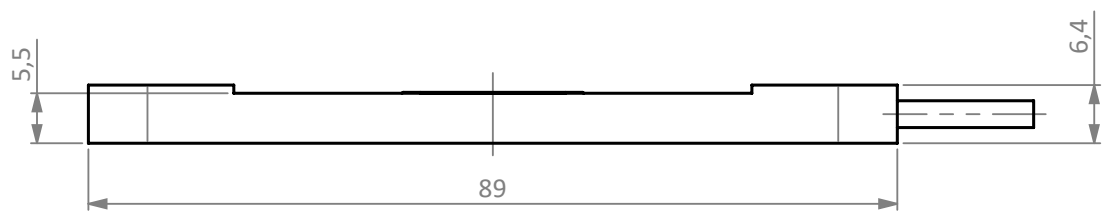


Dimensions in mm

Top View



Front View



Isometric View

