

Short Description



- 3 Aluminium IP65 compression load cells
- Pre-calibrated IP54 indicator
- High accuracy
- Durable design
- Suitable for elevator weighing
- Easy installation, plug and play
- Indicates when elevator is loaded for 90% of the capacity
- Determines if the elevator is overloaded
- Adjusts engine power to actual weight

Set Contains

Quantity	Capacity	Full article description
3	1t	L2H-45-1t-0.3B Load cell
1		IP65 fully potted junction box
1		Top-Sensors HC51x Indicator

Technical Specifications L2H-45-1t-0.3B

Accuracy Class		G5
Output Sensitivity (= FS)	mV/V	1.0 ± 0.2
Maximum Capacity (E _{max})	kg	1
Max. Number of Load Cell Intervals	n _{LC}	3000
Ratio of min. LC Verification Interval	$Y = E_{max} / V_{min}$	10000
Combined Error	%FS	≤± 0.5
Creep Error (5 minutes)	%FS	≤± 0.5
Non-Linearity	%FS	≤± 1.0
Repeatability	%FS	≤± 1.0
Hysteresis	%FS	≤± 1.0
Temperature Effect on Zero (ZTC)	%FS/10°C	≤± 0.3
Temperature Effect on Sensitivity (STC)	%FS/10°C	≤± 0.3
Zero Balance	%FS	≤± 0.1
Safe Overload	of E _{max}	120%
Ultimate Overload	of E _{max}	150%
Excitation, Recommended Voltage	V	5 ~ 10
Excitation, Maximum Voltage	V	12
Input Resistance	Ω	350 ± 50
Output Resistance	Ω	350 ± 50
Insulation Resistance (50V)	MΩ	≥5000
Compensated Temperature	°C	-10 ~ + 40
Operating Temperature	°C	-35 ~ + 65
Storage Temperature	°C	-40 ~ + 70
Load Cell Weight	kg	0.3
Element Material		Aluminium
Ingress Protection (acc. to EN 60529)		IP65

Wiring

Features:

Cable type: Shielded, 4 conductor cable

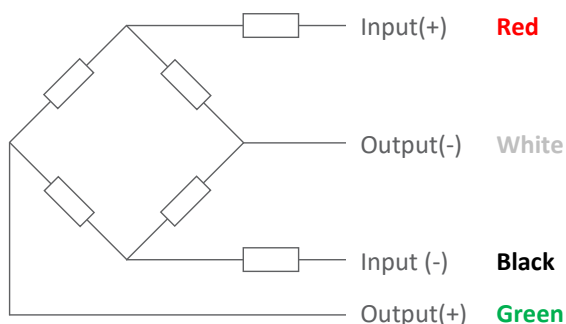
Cable diameter: Ø 3.8mm

Cable length: 0.3m ± 0.01m

Cable jacket: PVC

Shield (not) connected to element

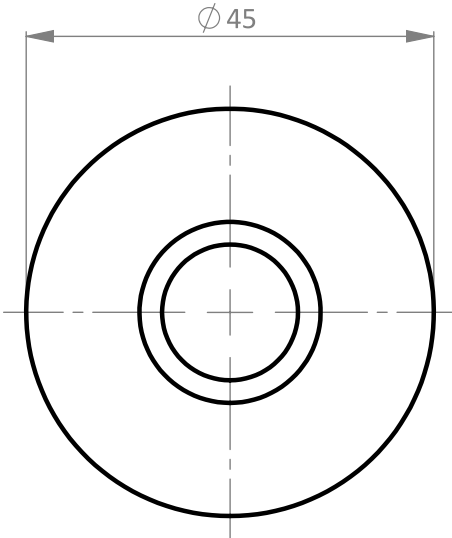
4-Wire Connection Diagram



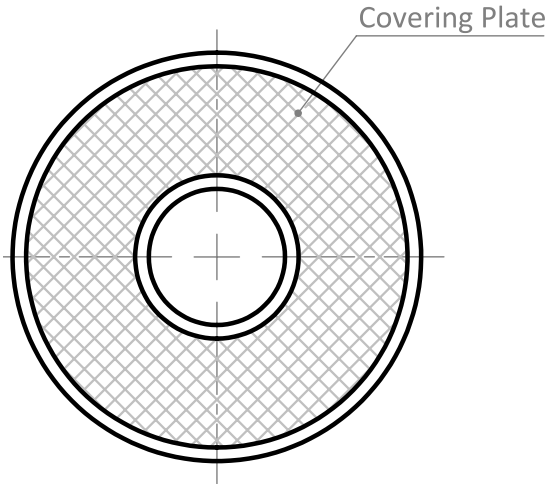
Specifications and dimensions are subject to change without notice and do not constitute any liability whatsoever.

Dimensions in mm

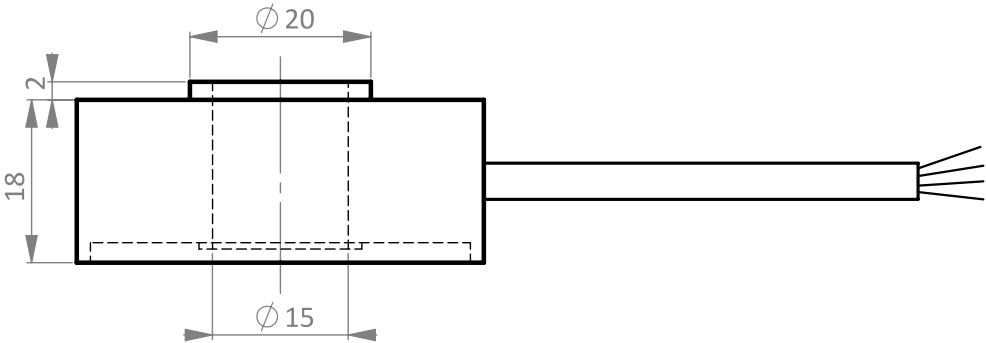
Top View



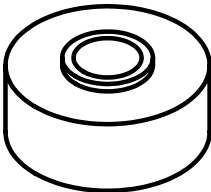
Bottom View



Side View



Isometric View

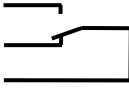
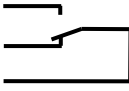
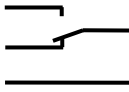







Specifications and dimensions are subject to change without notice and do not constitute any liability whatsoever.

Technical Features Top-Sensors HC51x Indicator

Power Supply	HC510: 230VAC ± 10% / 50~60 Hz	HC512: 24VDC ± 10%
Power Consumption	6 W (max.)	
Maximum Current Switched by Relay Outputs	10 A / 28VDC	
Operating Mode	continuous	
Number of Programmable Relay Outputs	3	
Setting Threshold Range Loading	Set in kg	
Passenger Availability	0-50 kg	
90%	0-5000 kg	
110%	0-5000 kg	
Maximum Load	Sum of individual loadcells	
Maximum Permissible Short-time Overload	150%	
Lower Limit of Transformations	5 kg	
Display	4-digit LED, 14.2mm 7-segment	
Indicators	Overload, Caution, Pre-caution	
Keypad	3-key flat tactile switches	
Operating Temperature Range	-10 ~ +40°C	
Storage Temperature Range	-20 ~ +50°C	
Humidity	0 ~ 90% @ 20°C (rel.)	
Degree of Protection for IEC 60529 (DIN 40050)	IP54	
Indicator Net Weight	0.60kg	

Indicator Connection Diagram

NO relay LP	1NO	
NC relay LP	1NC	
Input relay LP	1COM	
NO relay 90%	2NO	
NC relay 90%	2NC	
Input relay 90%	2COM	
NO relay 110%	3NO	
NC relay 110%	3NC	
Input relay 110%	3COM	

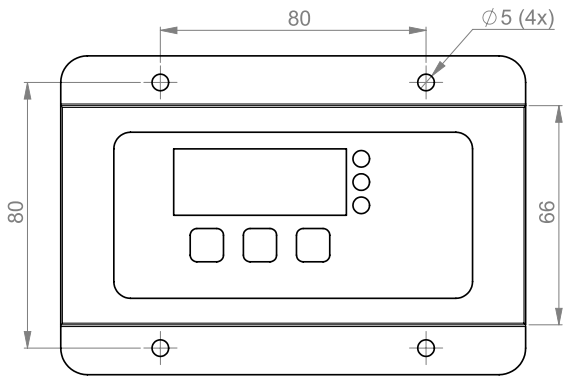
Ground sensors	GND	
Sensor signal +	SIG+	
Sensor signal -	SIG-	
Power sensors +	EXC+	
Power sensors -	EXC-	

Power supply	AC	
Ground	 -	
Power supply	AC	

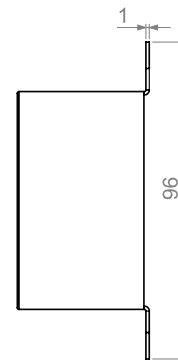


Indicator Dimensions in mm

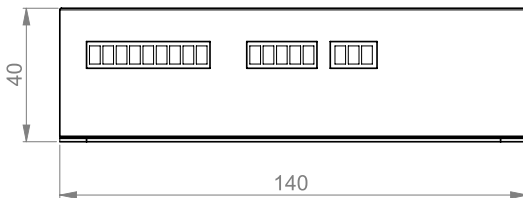
Top View



Side View










Front View



Display Keys and Settings



Indicator	Status	Key	Functions
 110%	LED Overload		Reset button / Scroll parameter / Increase value
 90%	LED 90% Load		Select a digit / Scroll menu
 	LED Child only in elevator		Turn on and off the display / Enter

Specifications and dimensions are subject to change without notice and do not constitute any liability whatsoever.