

Short Description



- 2 Aluminium IP65 double ended shear beam loadcells
- Pre-calibrated IP54 indicator
- High accuracy
- Durable design
- Suitable for elevator weighing
- Easy installation, plug & play
- Indicates when elevator is loaded for 90% of the capacity
- Determines if the elevator is overloaded
- When less than 15kg is loaded, the elevator doesn't move
- Adjusts engine power to actual weight

Set Contains

Quantity	Capacity	Full Article Description
2	1t	L9A-G5-1t-5B Load cell
1		IP65 fully potted junction box
1		Top-Sensors HC51x Indicator

Technical Specifications L9A-G5-1t-5B

Accuracy Class		G5
Output Sensitivity (= FS)	mV/V	1.5 ± 0.15
Maximum Capacity (E _{max})	t	1
Combined Error	%FS	≤± 0.5
Creep Error (5 minutes)	%FS	≤± 0.5
Non-Linearity	%FS	≤± 0.5
Repeatability	%FS	≤± 0.5
Hysteresis	%FS	≤± 0.5
Temperature Effect on Zero (ZTC)	%FS/10°C	≤± 0.5
Temperature Effect on Sensitivity (STC)	%FS/10°C	≤± 0.5
Zero Balance	%FS	≤± 2.0
Safe Overload	of E _{max}	150%
Ultimate Overload	of E _{max}	300%
Excitation, Recommended Voltage	V	5 ~ 15
Excitation, Maximum Voltage	V	18
Input Resistance	Ω	380 ± 50
Output Resistance	Ω	350 ± 20
Insulation Resistance (50V)	MΩ	≥5000
Compensated Temperature	°C	-10 ~ + 40
Operating Temperature	°C	-20 ~ + 60
Storage Temperature	°C	-30 ~ + 70
Load Cell Weight	kg	0.3
Element Material		Aluminium
Ingress Protection (acc. to EN 60529)		IP65

Wiring

Features:

Cable type: Shielded, 4 conductor cable

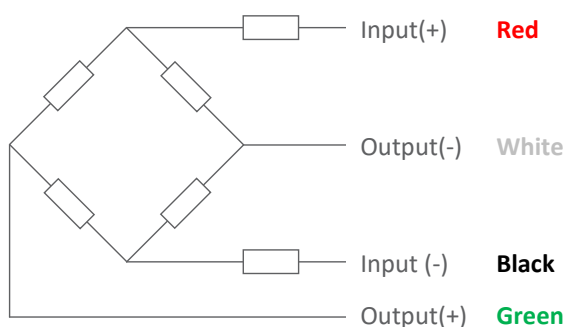
Cable diameter: Ø 3.8mm ± 0.2m

Cable length: 5m ± 0.05m

Cable jacket: PVC

Shield not connected to element

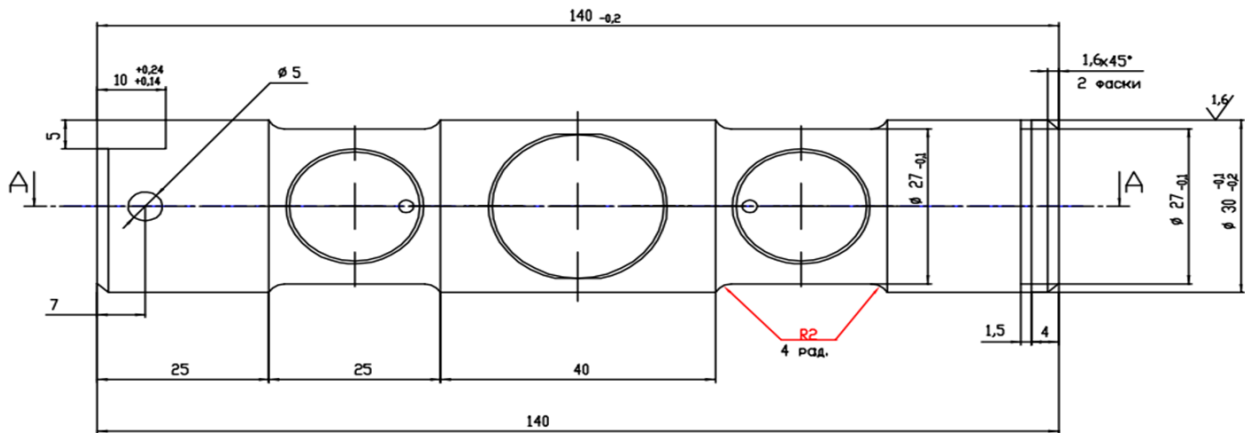
4-Wire Connection Diagram



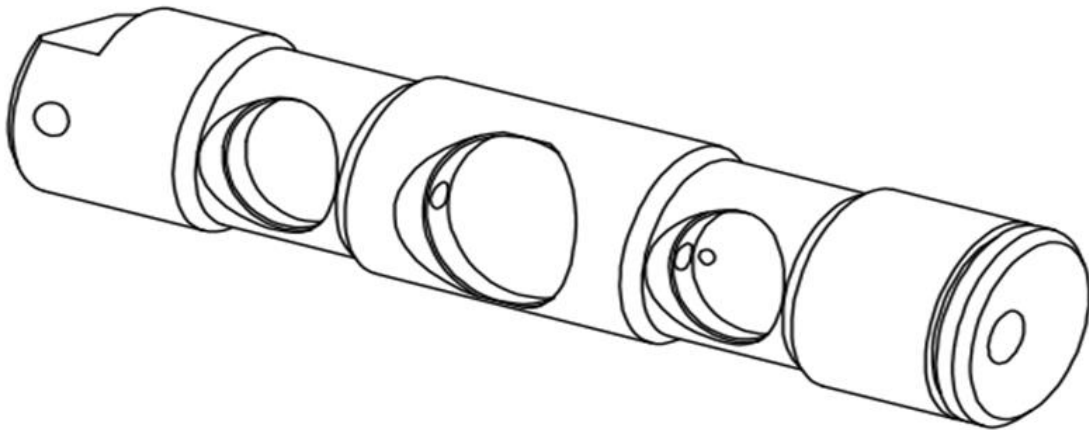
Specifications and dimensions are subject to change without notice and do not constitute any liability whatsoever.

Dimensions in mm

Side View



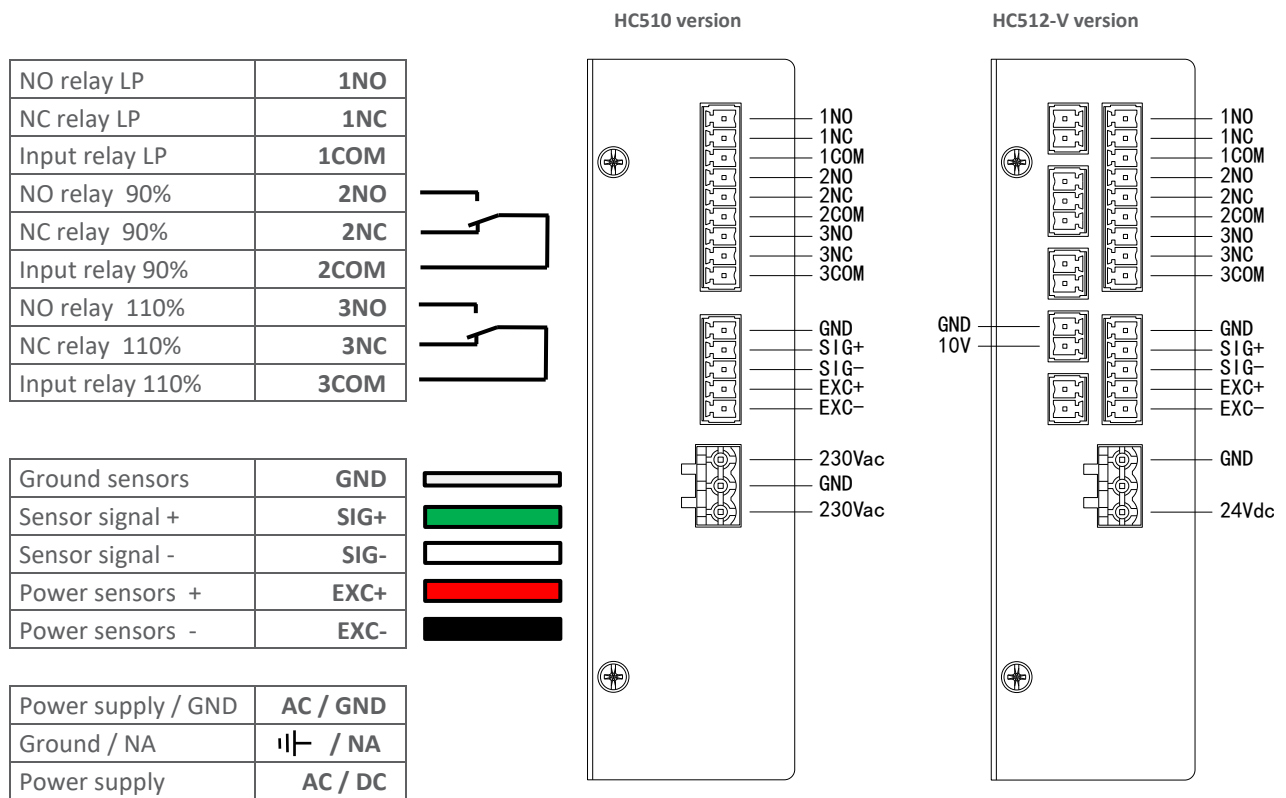
Isometric View



Technical Features Top-Sensors HC51x Indicator

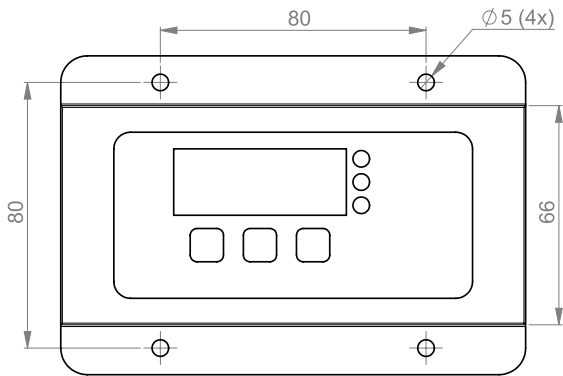
Power Supply	HC510: 230VAC ± 10% / 50~60 Hz	HC512: 24VDC ± 10%
Power Consumption	6 W (max.)	
Maximum Current Switched by Relay Outputs	10 A / 28VDC	
Operating Mode	continuous	
Number of Programmable Relay Outputs	3	
Setting Threshold Range Loading	Set in kg	
Passenger Availability	0-50 kg	
90%	0-2000 kg	
110%	0-2000 kg	
Maximum Load	Sum of individual loadcells	
Maximum Permissible Short-time Overload	150%	
Lower Limit of Transformations	5 kg	
Maximum Duration of the Conversion Cycle	2 seconds	
Display	4-digit LED, 14.2mm 7-segment	
Indicators	Overload, Caution, Pre-caution	
Keypad	3-key flat tactile switches	
Operating Temperature Range	-10 ~ +40°C	
Storage Temperature Range	-20 ~ +50°C	
Humidity	0 ~ 90% @ 20°C (rel.)	
Degree of Protection for IEC 60529 (DIN 40050)	IP54	
Indicator Net Weight	0.60kg	

Indicator Connection Diagram

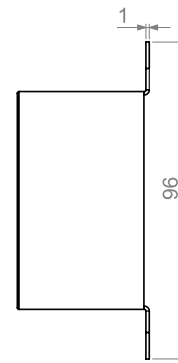


Indicator Dimensions in mm

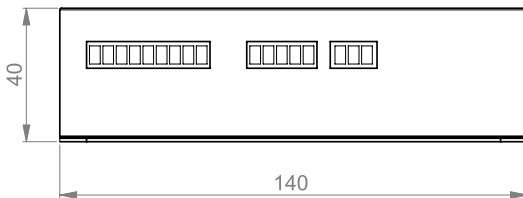
Top View



Side View










Front View



Display Keys and Settings



Indicator	Status	Key	Functions
 110%	LED Overload		Reset button / Scroll parameter / Increase value
 90%	LED 90% Load		Select a digit / Scroll menu
 	LED Child only in elevator		Turn on and off the display / Enter

Specifications and dimensions are subject to change without notice and do not constitute any liability whatsoever.