



Short description



- Easy installation
- Suitable for shock load
- Can be used with Load Cell models: H8C

Available models

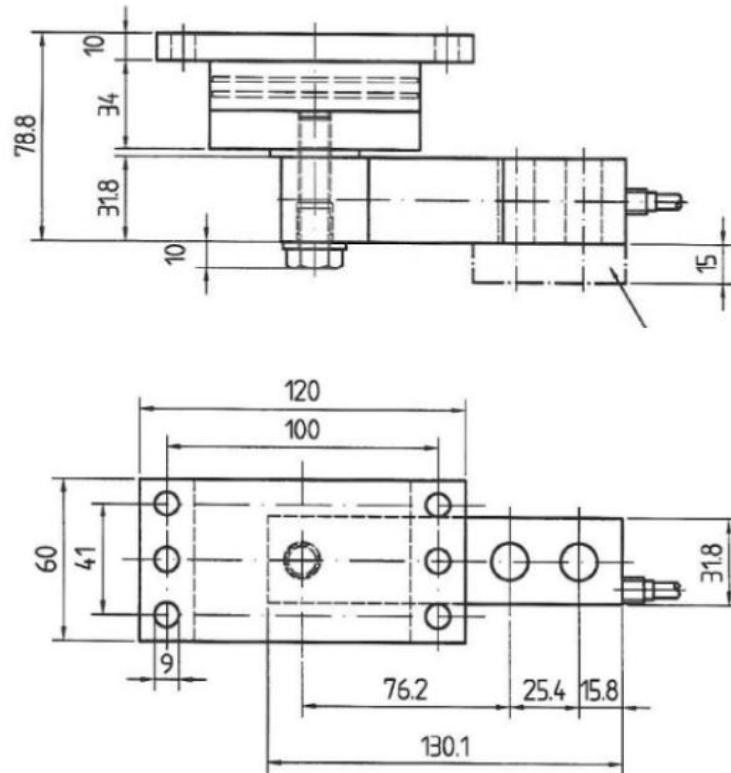
Model	Capacity	Full article description	Part number
Elastomer H8C	0.5t – 2t	Elastomer H8C 0.5 - 2t	2080239
	5t	Elastomer H8C 5t	2080238
	10t	Elastomer H8C 10t	2080240

Specifications and dimensions are subject to change without notice and do not constitute any liability whatsoever.

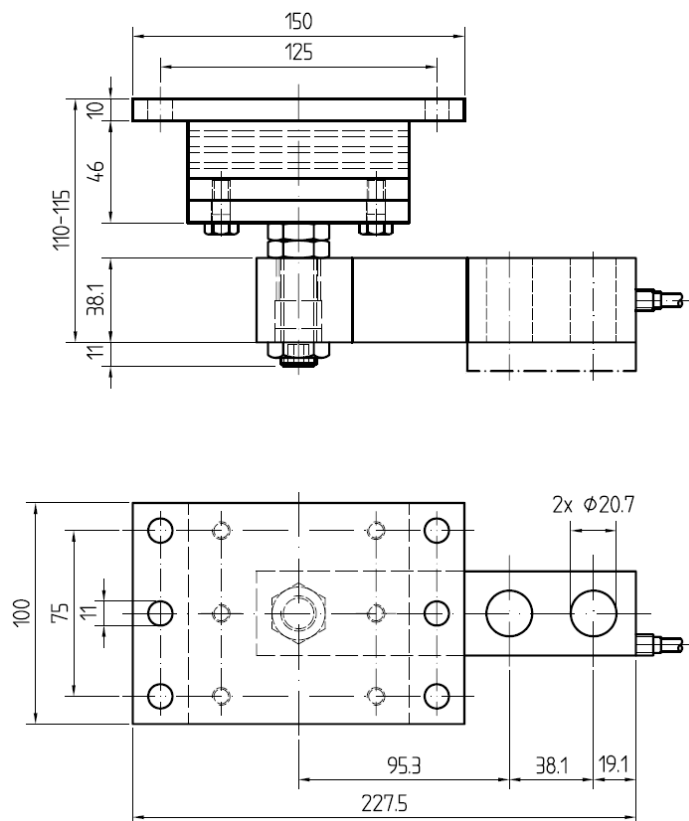
Type H8C Elastomer

Dimensions in mm

0.5 – 2t

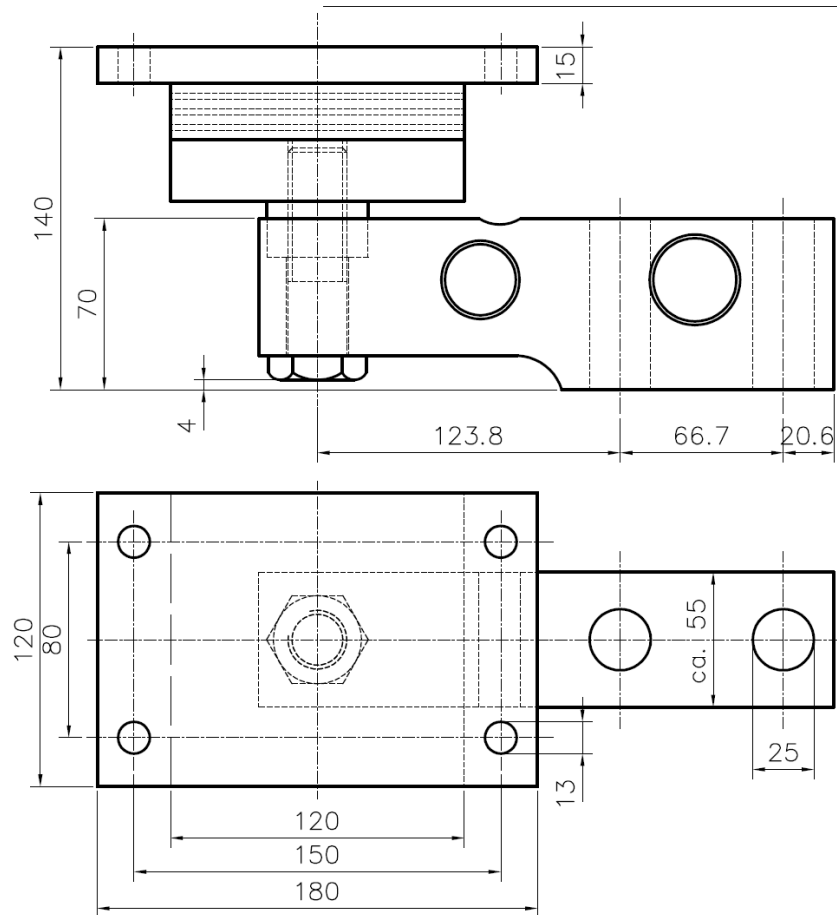


5t



Specifications and dimensions are subject to change without notice and do not constitute any liability whatsoever.

10t



Specifications and dimensions are subject to change without notice and do not constitute any liability whatsoever.