



## Short Description



- Easy installation
- Suitable for shock load
- Made from galvanised construction steel & natural rubber
- Can be used with load cell model: BM8H
- Load cell is sold separately

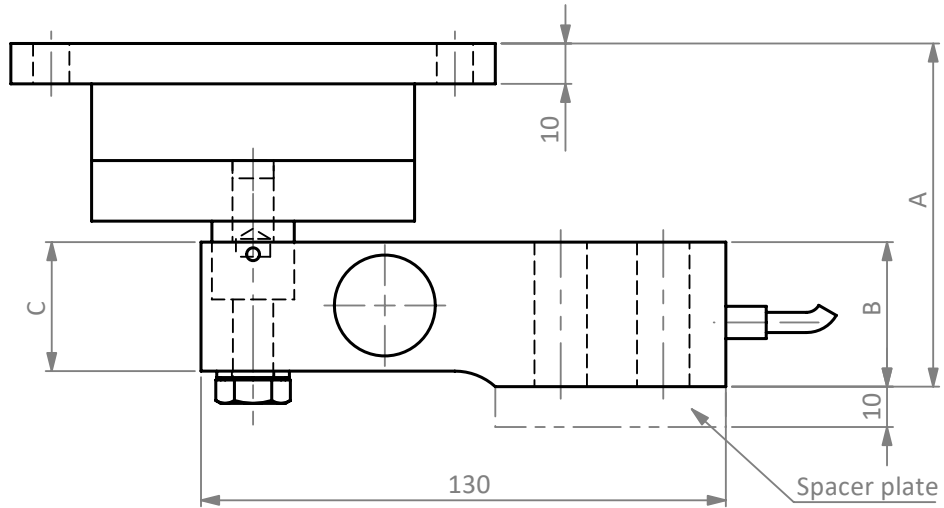
## Available Models

Model	Capacity	Full Article Description	Part Number
Elastomer BM8H	0.5t – 2t	Elastomer BM8H 0.5 - 2t	20802500
	5t	Elastomer BM8H - 5t	20802510

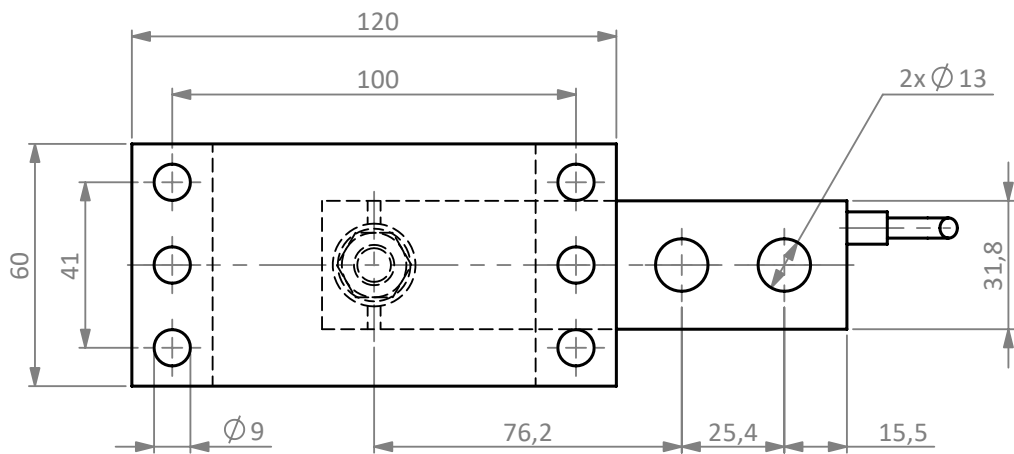
## Dimensions in mm

0.5t – 2t

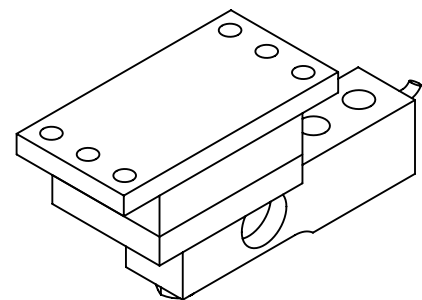
### Side View



### Top View



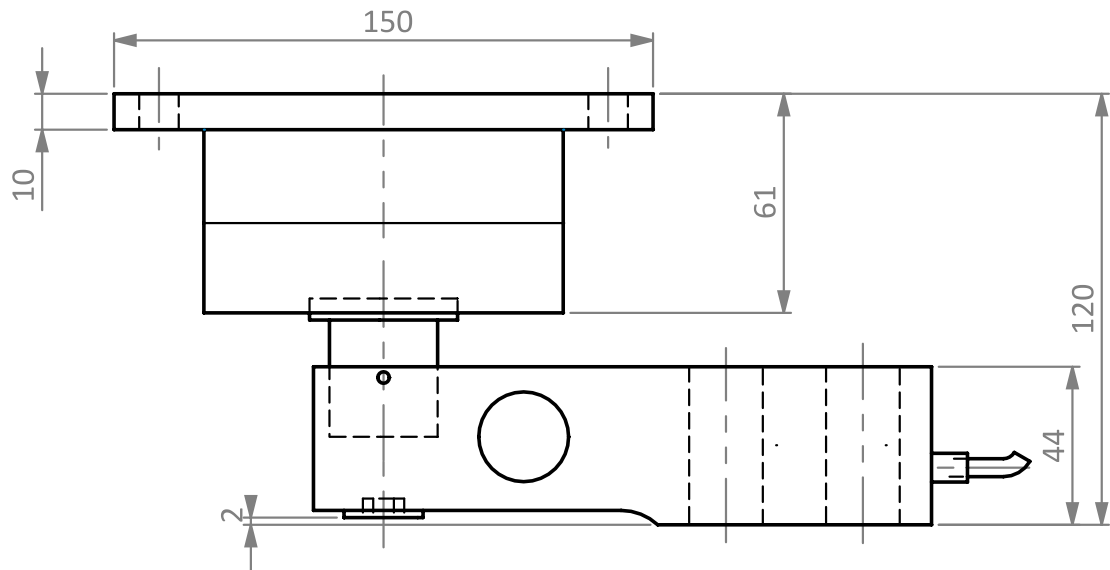
### Isometric View



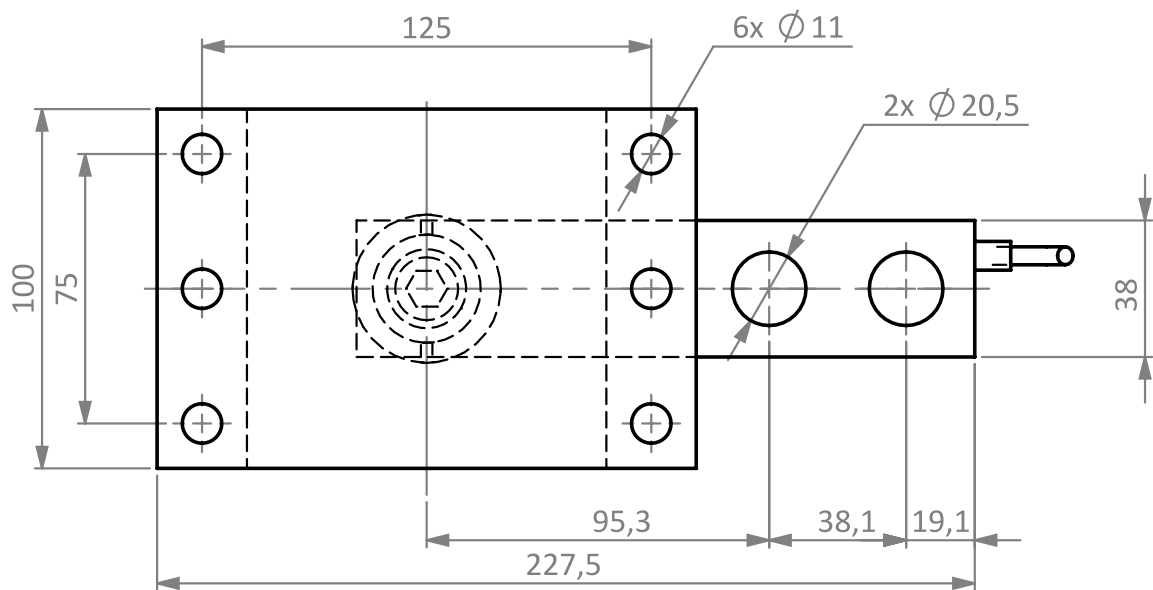
Dimension \ Capacity	A	B	C
500kg (0.5t)	81	31.8	26.0
1.0t	81	31.8	27.95
2.0t	85	35.8	31.95

5t

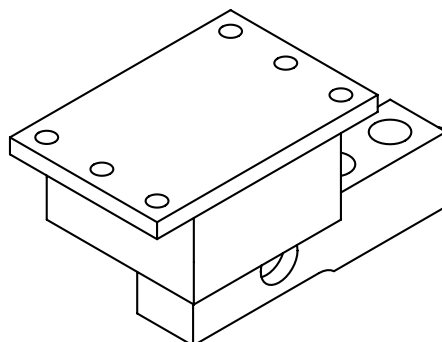
Side View



Top View



Isometric View



Specifications and dimensions are subject to change without notice and do not constitute any liability whatsoever.