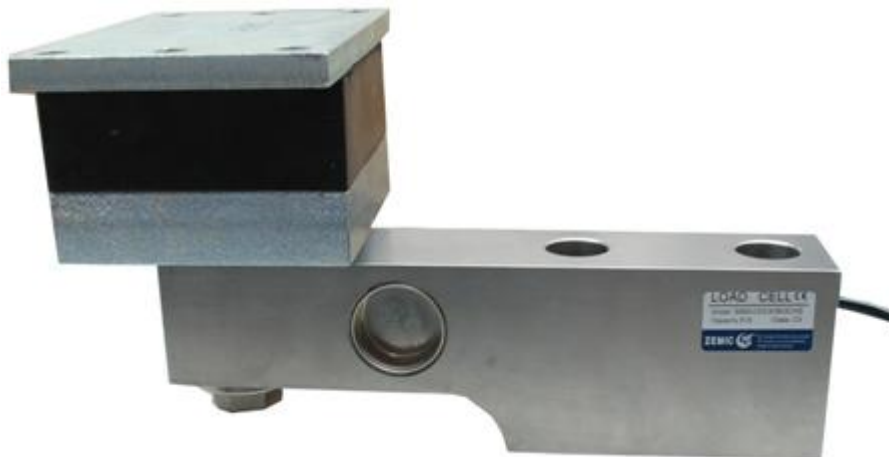


Type BM8G Elastomer



Short description



- Easy installation
- Suitable for shock load
- Can be used with Load Cell models: BM8G

Available models

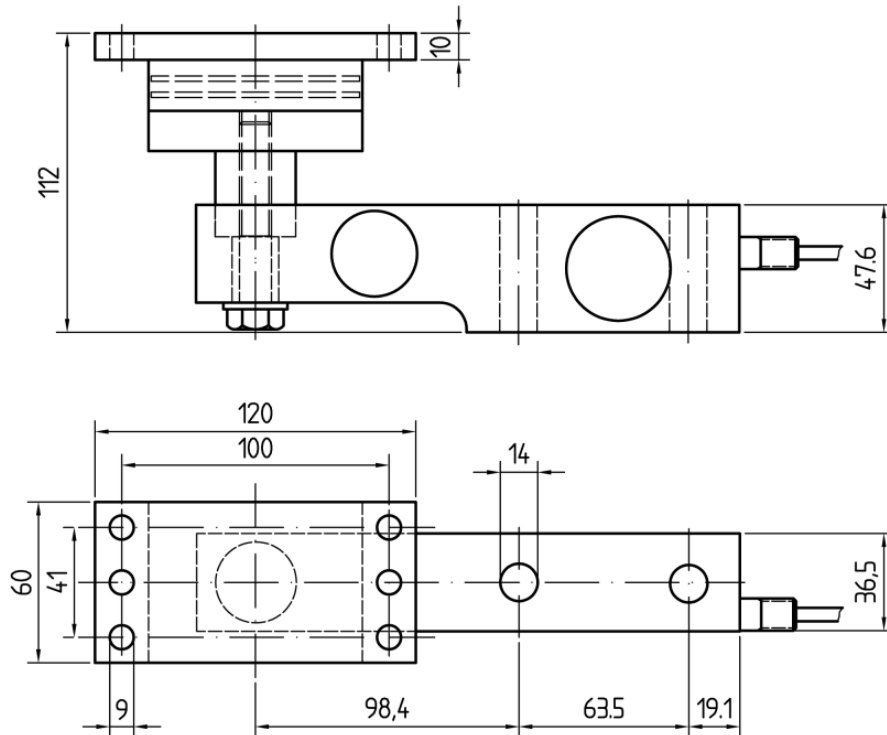
Model	Capacity	Full article description	Part number
Elastomer BM8G	0.5t – 2t	Elastomer BM8G 0.5 - 2t	2080243
	5t	Elastomer BM8G 5t	2080242
	10t	Elastomer BM8G 10t	2080241

Specifications and dimensions are subject to change without notice and do not constitute any liability whatsoever.

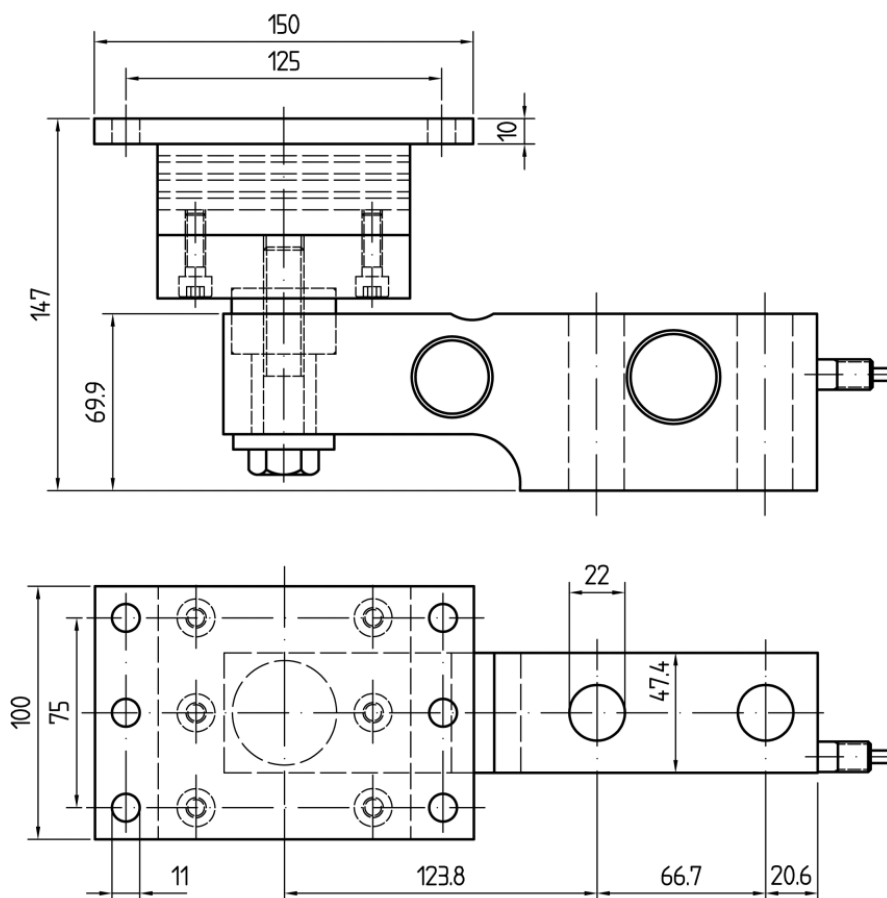
Type BM8G Elastomer

Dimensions in mm

0.5 – 2t



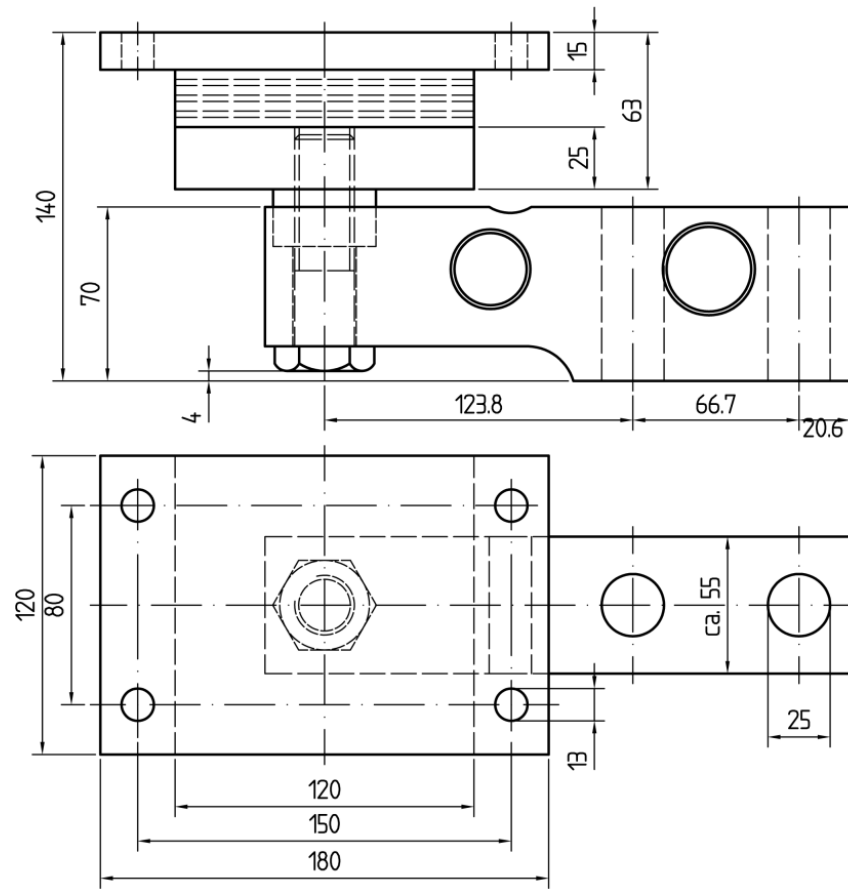
5t



Specifications and dimensions are subject to change without notice and do not constitute any liability whatsoever.

Type BM8G Elastomer

10t



Specifications and dimensions are subject to change without notice and do not constitute any liability whatsoever.