



Short description



- Easy installation
- Stainless steel
- Can be used with Load Cell models: BM8D and B8D

Available models

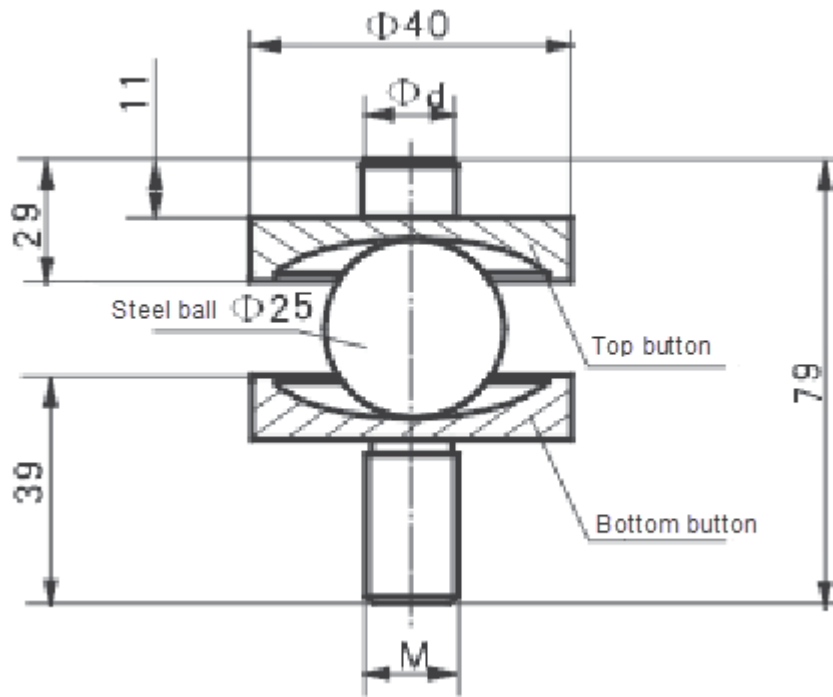
Model	Capacity	Full article description	Part number
BY-8-104	0.5-2t	BY-8-104-0.5/2t	2080736
	2.5-5t	BY-8-104-2.5/5t	2080737

Detailed specifications BY-8-104

Capacity	0.5-2t	2.5-5t
Maximum vertical force (down)	20kN	50kN

Specifications and dimensions are subject to change without notice and do not constitute any liability whatsoever.

Dimensions in mm



Dimension Capacity	Φd	M
0.5-2t	12	M12 x 1.75
2.5-5t	20	M20 x 2.5

Specifications and dimensions are subject to change without notice and do not constitute any liability whatsoever.