

Type BM14D Load Cell



Short description



- Stainless steel IP68 compression/tension load cell
- Hermetically sealed
- Suitable for vehicle and hopper scales and vehicle testing facilities
- Built in surge arrestors

Available models

Capacity	Accuracy	Full article description
10t	C2	BM14D-C2-10t-20B
20t	C2	BM14D-C2-20t-20B
25t	C2	BM14D-C2-25t-20B
30t	C2	BM14D-C2-30t-20B
40t	C2	BM14D-C2-40t-20B
50t	C2	BM14D-C2-50t-20B
100t	C2	BM14D-C2-100t-20B

Specifications and dimensions are subject to change without notice and do not constitute any liability whatsoever.

Type BM14D Load Cell

Technical specifications BM14D

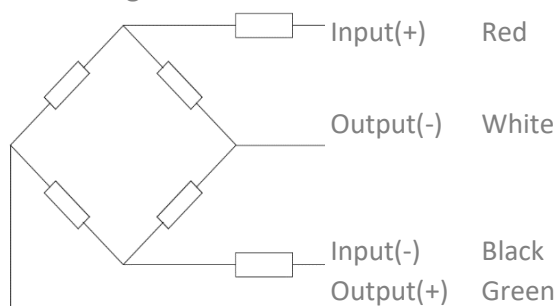
Accuracy class		C2		
Output sensitivity (= FS)	mV/V	1.5 ± 0.002		
Maximum capacity (E _{max})	t	10, 20, 25, 30, 40, 50, 100		
Max. number of load cell intervals	n _{LC}	2000		
Ratio of min. LC verification interval	$Y = E_{max} / v_{min}$	5000		
Combined Error	%FS	≤± 0.030		
Minimum dead load	Of E _{max}	0%		
Safe overload	of E _{max}	150 %		
Ultimate overload	of E _{max}	300 %		
Zero balance	of FS	< ± 1.0 %		
Excitation, recommended voltage	V	5 ~ 12		
Excitation maximum	V	18		
Input resistance	Ω	700 ± 7		
Output resistance	Ω	703 ± 4		
Insulation resistance	MΩ	≥5000 (at 50VDC)		
Compensated temperature	°C	-10 ~ +40		
Operating temperature	°C	-35 ~ +65		
Storage temperature	°C	-40 ~ +70		
Element material		Stainless steel		
Ingress Protection (acc. to EN 60529)		IP68		
ATEX classification (optional)		II1G Ex ia II1C T4	II1D Ex iaD 20 T73°C	II3G nL IIC T4

Wiring

Features:

Shielded, 4 conductor cable
 Cable diameter: Ø5mm
 Standard cable length: 20m
 Shield not connected to element

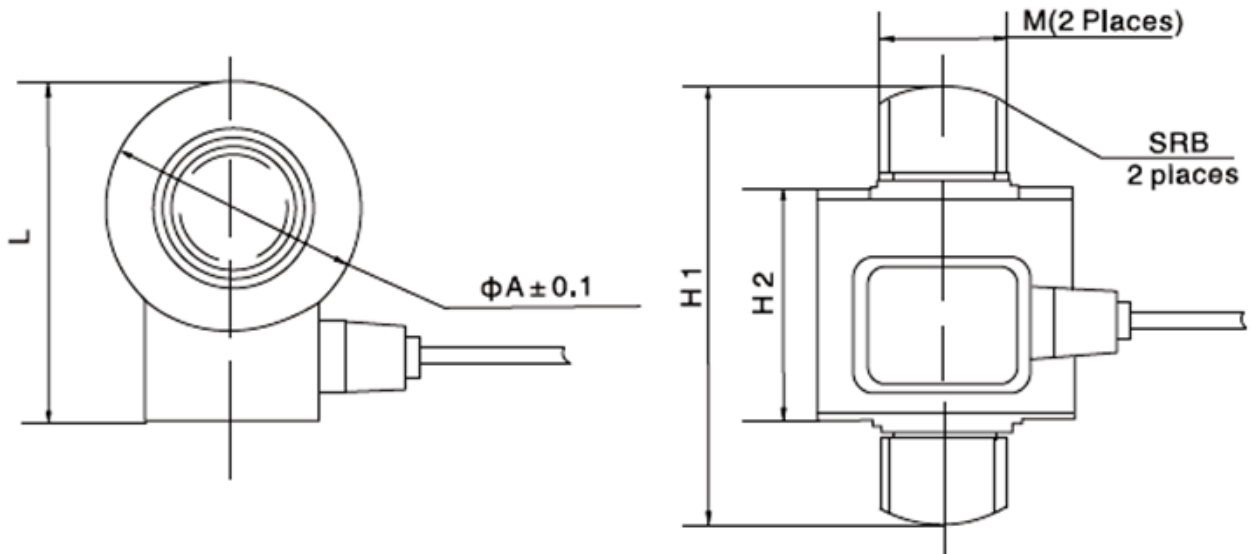
4-wire diagram



Specifications and dimensions are subject to change without notice and do not constitute any liability whatsoever.

Type BM14D Load Cell

Dimensions in mm



Dimension Capacity	H1	H2	ØA	L	SRB	M
10t, 20t	180	69.3	73	99.7	200	M36 x 3
25t, 30t	200	70	88.9	115.6	250	M42 x 3
40t, 50t	250	99.3	105	138.3	300	M56 x 4
100t	350	131.9	152.4	183.9	400	M76 x 4

Specifications and dimensions are subject to change without notice and do not constitute any liability whatsoever.