




LOAD CELL CE
 Model: BM14A-C3-10t-10B-SC
 Capacity: 10t SN: W159529A
ZEMIC  Do not open this device by yourself!
 Pls. contact your local authorized dealer in need of service.

Short Description



- Stainless steel IP68 compression load cell
- Hermetically sealed
- Suitable for vehicle and hopper scales and vehicle testing facilities
- Built-in surge arrestors
- Current calibrated (SC-option)

 Test certificate no. D09-07.01 Rev. 1

Available Models

Capacity	Accuracy	Full Article Description
10t	C3	BM14A-C3-10t-10B/20B-SC
25t	C3	BM14A-C3-25t-20B-SC
40t	C3	BM14A-C3-40t-20B-SC
60t	C3	BM14A-C3-60t-20B-SC
100t	C3	BM14A-C3-100t-20B-SC
200t	G1 (Excluded from OIML)	BM14A-G1-200t-20B

Specifications and dimensions are subject to change without notice and do not constitute any liability whatsoever.

Technical Specifications BM14A

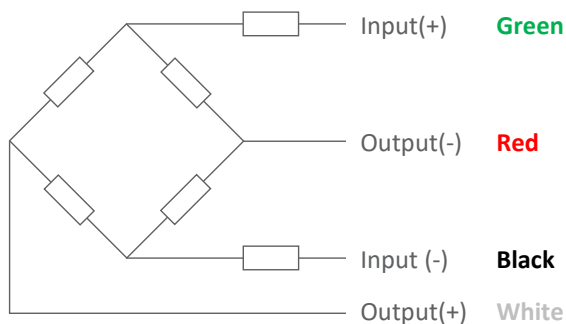
Accuracy Class		OIML R60 C3			G1
Output Sensitivity (= FS)	mV/V	2.0 ± 0.002			
Maximum Capacity (E _{max})	t	10, 25, 40	60, 100	200	
Max. Number of Load Cell Intervals	n _{LC}	3000			1000
Ratio of min. LC Verification Interval	Y = E _{max} / V _{min}	9000	10000	10000	
Combined Error	%FS	≤± 0.020			≤± 0.100
Creep Error (30 minutes)	%FS	≤± 0.016			≤± 0.038
Temperature Effect on Zero (ZTC)	%FS/10°C	≤± 0.015			≤± 0.019
Temperature Effect on Sensitivity (STC)	%FS/10°C	≤± 0.011			≤± 0.028
Zero Balance	%FS	≤± 1.0			
Safe Overload	%FS	150			
Ultimate Overload	%FS	300			
Excitation, Recommended Voltage	V	5 ~ 12			
Excitation, Maximum Voltage	V	18			
Input Resistance	Ω	450 ± 5			
Output Resistance	Ω	480 ± 5			
Insulation Resistance (50V)	MΩ	≥5000			
Compensated Temperature	°C	-10 ~ + 40			
Operating Temperature	°C	-35 ~ + 65			
Storage Temperature	°C	-40 ~ + 70			
Load Cell Weight	kg	10t-25t: 3,5	40t-60t: 7,5	100t: 17	200t: 29
Element Material		Stainless Steel			
Ingress Protection (acc. to EN 60529)		IP68			
ATEX Classification (Optional)		II 1G Ex ia IIC T4 Ga	II 1D Ex ia IIIC T 200 135°C Da	II 3G Ex ic IIC T4 Gc	

Wiring

Features:

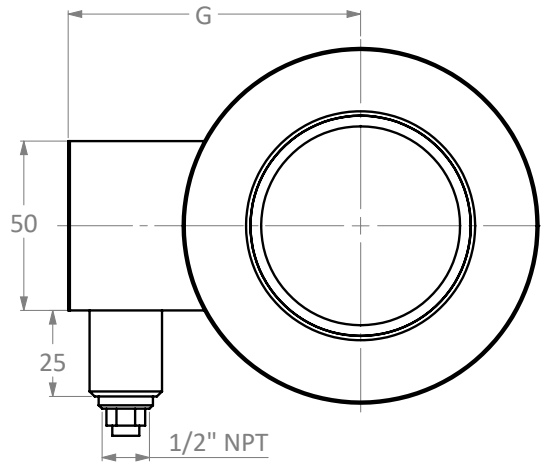
Cable type: Shielded, 4 conductor cable , conductor AWG 21
 Cable diameter: Ø 7.5mm
 Cable length: 20m for all capacities, 10m for 10t capacity only
 Cable jacket: Polyurethane
 Shield not connected to element

4-Wire Connection Diagram

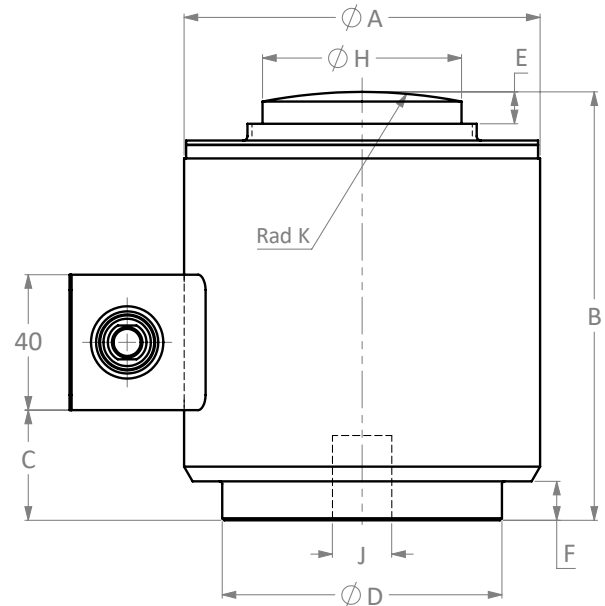


Dimensions in mm

Top View



Side View

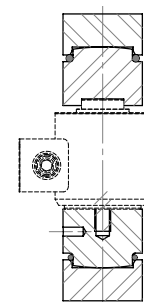


Dimension Capacity	$\varnothing A$	B	C	$\varnothing D$	E	F	G	$\varnothing H$	K_{rad}	J
10t, 25t	73	82.5	12	58	6.5	1.8	64	31.8	152	M12
40t, 60t	105	127	34	82.5	8	11	87	58.7	152	M20
100t	152.4	184	72	123.8	23.6	21.8	108	79.2	432	M20
200t	167.6	228.6	92	136.3	10.9	25.4	123	93.7	432	M20

Available Accessories

BY-14-101-10-25t Rocker Support

- Easy installation
- Good self-aligning ability
- Stainless steel
- Anti-reversal ability
- Can be used under hazardous environments



BY-14-101-40-60t Rocker Support

- Easy installation
- Good self-aligning ability
- Stainless steel
- Anti-reversal ability
- Can be used under hazardous environments

