

## Short Description



- Stainless steel IP68 single ended bending beam
- Hermetically sealed
- Suitable for pallet, platform and small hopper scales
- High accuracy
- Current calibrated (SC-option)



Test certificate no. TC7968 Revision 0  
C of C no R60/2000-NL1-11.20



Certificate no. 07.020A1

## Available Models

| Capacity | Accuracy              | Full article description |
|----------|-----------------------|--------------------------|
| 5kg      | C3 Excluded from OIML | BM11-C3-5kg-3B-SC        |
| 10kg     | C3/C4                 | BM11-C3/C4-10kg-3B-SC    |
| 20kg     | C3/C4                 | BM11-C3/C4-20kg-3B-SC    |
| 30kg     | C3/C4                 | BM11-C3/C4-30kg-3B-SC    |
| 50kg     | C3/C4                 | BM11-C3/C4-50kg-3B-SC    |
| 100kg    | C3/C4                 | BM11-C3/C4-100kg-3B-SC   |
| 200kg    | C3/C4                 | BM11-C3/C4-200kg-3B-SC   |
| 250kg    | C3/C4                 | BM11-C3/C4-250kg-3B-SC   |
| 350kg    | C3/C4                 | BM11-C3/C4-350kg-3B-SC   |
| 500kg    | C3/C4                 | BM11-C3/C4-500kg-3B-SC   |

## Technical Specifications BM11

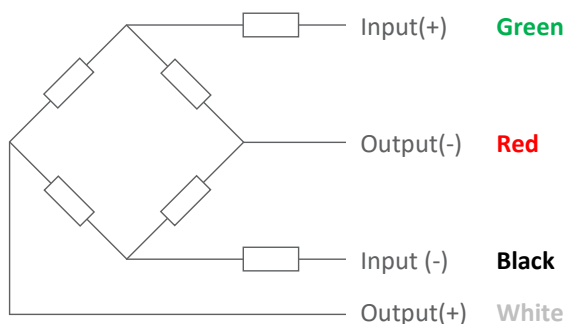
|   |                         |                       |  |                       |
|---|-------------------------|-----------------------|--|-----------------------|
| Accuracy Class                          |                         | C3                    | OIML R60 C3                                | OIML R60 C4           |
| Output Sensitivity (= FS)               | mV/V                    | 2.0 ± 0.2             |  |                       |
| Maximum Capacity ( E <sub>max</sub> )   | kg                      | 5                     | 10, 20, 30, 50, 100, 200, 250, 350, 500    |                       |
| Max. Number of Load Cell Intervals      | n <sub>LC</sub>         | 3000                  |  | 4000                  |
| Ratio of min. LC Verification Interval  | $Y = E_{max} / V_{min}$ | 10000                 |  | 15000                 |
| Combined Error                          | %FS                     | ≤± 0.020              |  | ≤± 0.0174             |
| Creep Error (30 minutes)                | %FS                     | ≤± 0.016              |  | ≤± 0.012              |
| Temperature Effect on Zero (ZTC)        | %FS/10°C                | ≤± 0.015              |  | ≤± 0.010              |
| Temperature Effect on Sensitivity (STC) | %FS/10°C                | ≤± 0.011              |  | ≤± 0.009              |
| Zero Balance                            | %FS                     | ≤± 1.0                |  |                       |
| Safe Overload                           | %FS                     | 150                   |  |                       |
| Ultimate Overload                       | %FS                     | 300                   |  |                       |
| Excitation, Recommended Voltage         | V                       | 5 ~ 12                |  |                       |
| Excitation, Maximum Voltage             | V                       | 18                    |  |                       |
| Input Resistance                        | Ω                       | 460 ± 50              |  |                       |
| Output Resistance                       | Ω                       | 350 ± 3.5             |  |                       |
| Insulation Resistance (50V)             | MΩ                      | ≥5000                 |  |                       |
| Compensated Temperature                 | °C                      | -10 ~ + 40            |  |                       |
| Operating Temperature                   | °C                      | -35 ~ + 65            |  |                       |
| Storage Temperature                     | °C                      | -40 ~ + 70            |  |                       |
| Load Cell Weight                        | kg                      | ~0.50                 |  |                       |
| Element Material                        |                         | Stainless Steel       |  |                       |
| Ingress Protection (acc. to EN 60529)   |                         | IP68                  |  |                       |
| Recommended Torque on Fixation Bolts    | Nm                      | M8: 25                |  | M10: 50               |
| ATEX Classification (optional)          |                         | II 1G Ex ia IIC T4 Ga | II 1D Ex ia IIIC T <sub>200</sub> 135°C Da | II 3G Ex ic IIC T4 Gc |

## Wiring

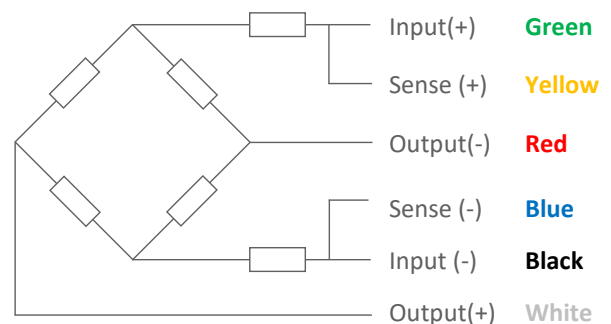
### Features:

Cable type: Shielded, 6 and 4 conductor cable , conductor AWG 24  
 Cable diameter: Ø 5.0mm  
 Cable length: 4 conductor: 3m, 6 conductor: 6m  
 Cable jacket: Polyurethane  
 Shield not connected to element

### 4-Wire Connection Diagram



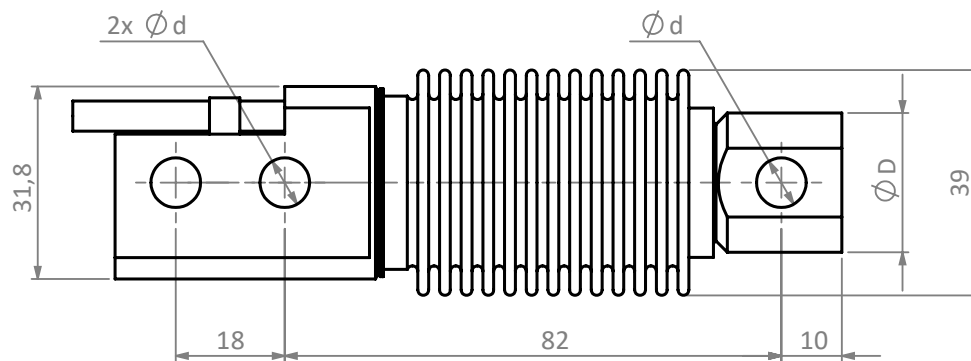
### 6-Wire Connection Diagram



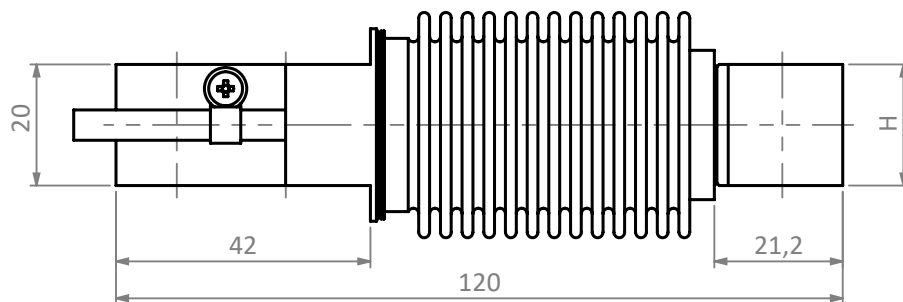
Specifications and dimensions are subject to change without notice and do not constitute any liability whatsoever.

## Dimensions in mm

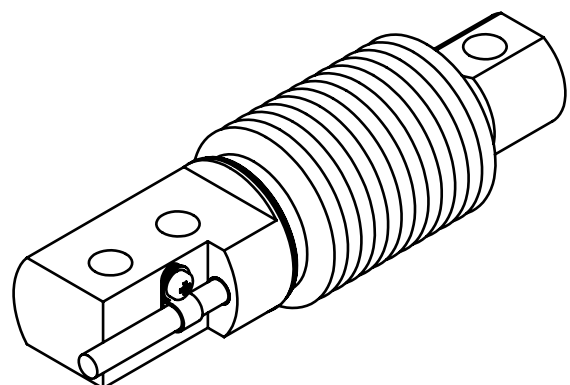
### Top View



### Side View

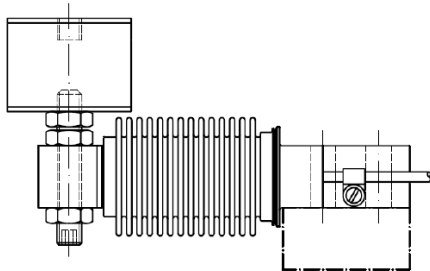
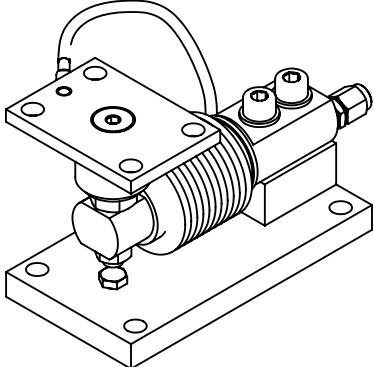
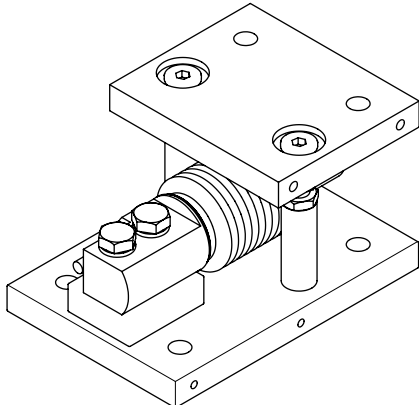
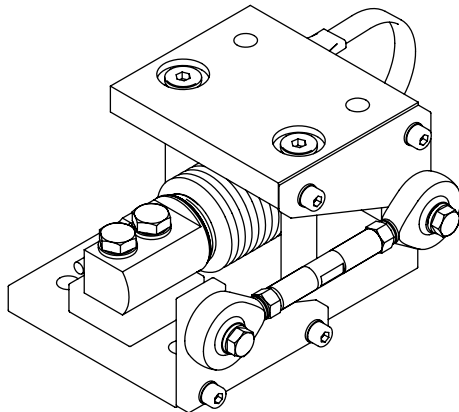


### Isometric View



| Dimension<br>Capacity | d    | D  | H  |
|-----------------------|------|----|----|
| 5kg                   | 8.2  | 23 | 20 |
| 10kg                  | 8.2  | 23 | 20 |
| 20kg                  | 8.2  | 23 | 20 |
| 30kg                  | 8.2  | 23 | 20 |
| 50kg                  | 8.2  | 23 | 20 |
| 100kg                 | 8.2  | 23 | 20 |
| 200kg                 | 8.2  | 23 | 20 |
| 250kg                 | 10.3 | 24 | 19 |
| 350kg                 | 10.3 | 24 | 19 |
| 500kg                 | 10.3 | 24 | 19 |

## Available accessories

|   |  |
|---|--|
| <p><b>BJ-11-220-5-500kg foot</b></p> <ul style="list-style-type: none"> <li>• Stainless steel</li> <li>• Elastomer foot</li> <li>• Adjustable height</li> </ul>   |    |
| <p><b>BM-11-400-10-200kg Tank mount</b></p> <ul style="list-style-type: none"> <li>• Stainless steel mount</li> <li>• Easy load cell access</li> <li>• Lift-off protection</li> </ul>   |    |
| <p><b>BM-11-401-5-500kg mount</b></p> <ul style="list-style-type: none"> <li>• Stainless steel mount</li> <li>• Easy load cell access</li> <li>• Self-aligning construction</li> <li>• Lift-off protection</li> <li>• Controlled horizontal movement</li> </ul>                         |  |
| <p><b>BM-11-402-5-500kg Mount</b></p> <ul style="list-style-type: none"> <li>• BM-11-401 + Stay Rod</li> <li>• Stainless steel mount</li> <li>• Easy load cell access</li> <li>• Self-aligning construction</li> <li>• Lift-off protection</li> <li>• Stabilized by stay rod</li> </ul> |  |