

## Short Description

- Complete mounting set for quick and easy mounting.
- This includes:
  - a loadcell dummy, transport plate, lift off protection and an earthing cable.
- Stainless steel type 1.4301 (304)
- Mount delivered without working loadcell and without stay rod/rod end. Those parts need to be ordered separately.
- To be used with Load Cell models: BM8H

## Available Models

Model	Capacity	Full Article Description	Part Number
BM-8-904	0.5t – 1t	BM-8-904-0.5/1t	20820590
	1.5t – 2t	BM-8-904-1.5/2t	20820600
	5t	BM-8-904-5t	20820610
	0.1t – 2t	Rod End 0.1/2t Stainless Steel	20820680
	2.5t – 5t	Rod End 2.5/5t Stainless Steel	20820690

## Technical Specifications BM-8-904

Capacity <b>with load cell</b>	0.25t – 2t	5t
Maximum vertical force (down) with dummy loadcell	15 kN	30 kN
Maximum vertical force (up)	15 kN	30 kN
Maximum horizontal force (with stay rod installed)	20 kN	40 kN
Maximum horizontal movement (without stay rod)	+1.5 / -1.5 mm	

### Notes:

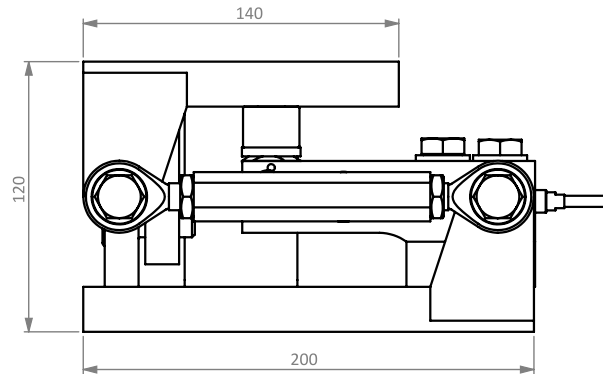
-When horizontal forces are expected in use, we recommend installing the stay rod.

-Front View drawings show U-shaped transport plate installed. Please refer to installation manual.

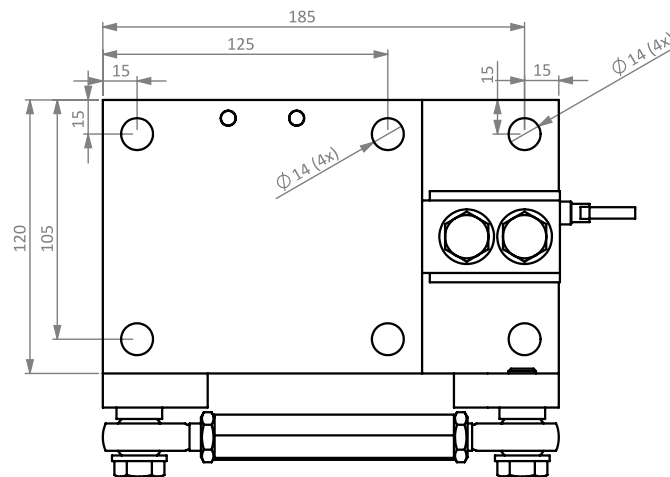
## Dimensions in mm

0.5t – 2t

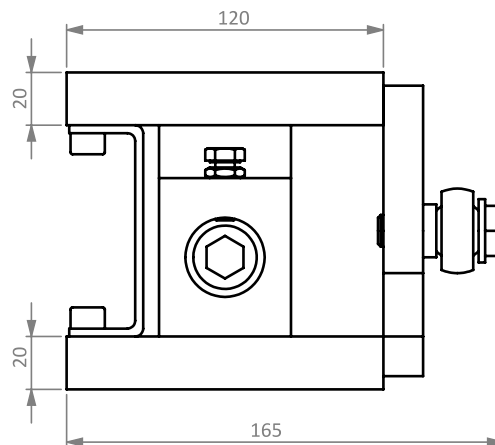
Side View



Top View



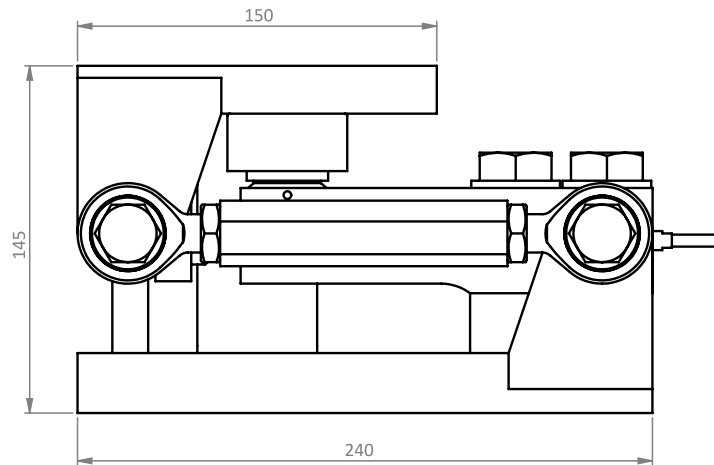
Front View



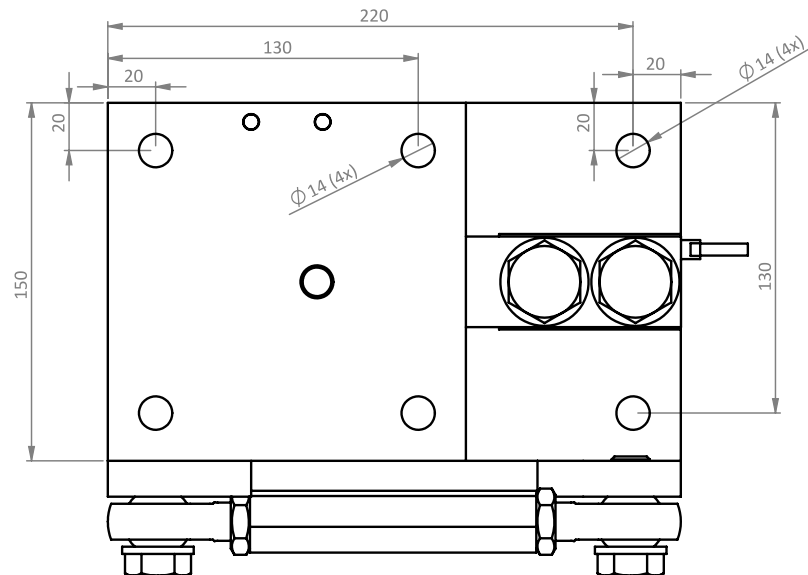
Specifications and dimensions are subject to change without notice and do not constitute any liability whatsoever.

5t

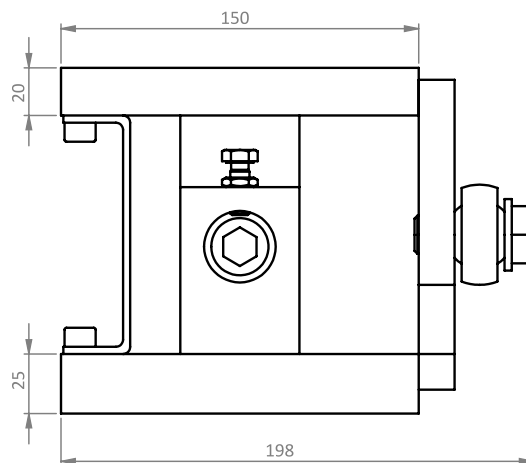
### Side View



### Top View



### Front View



Specifications and dimensions are subject to change without notice and do not constitute any liability whatsoever.