

Short Description



- Stainless steel rocker pin
- Anti-corrosion
- Easy installation
- Can be used with Load cell model: BM24R
- To be used with mounting sets BM-24-401/402/403

Available Models

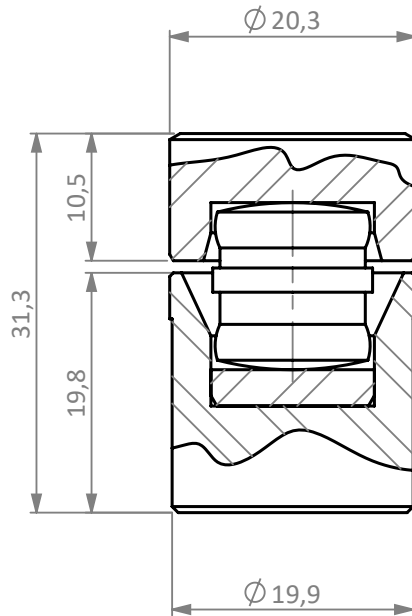
Model	Capacity	Full Article Description	Part Number
BM-24-401-Z2	0.25t – 1t	BM-24-401-Z2 rockpinset 0.25t/1t	22400110
BM-24-402-Z2	2t – 5t	BM-24-402-Z2 rockpinset 2t/3.5t/5t	22400210
BM-24-403-Z3	10t – 13t	BM-24-403-Z3 rockpin set 10t/13t	22400310

Specifications and dimensions are subject to change without notice and do not constitute any liability whatsoever.

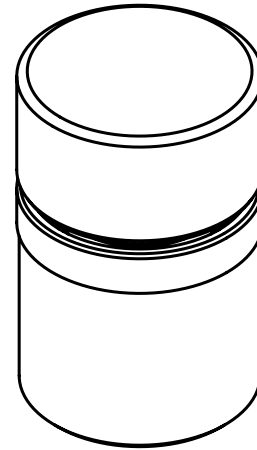
Dimensions in mm

BM-24-401-Z2-0.25t/1t

Side View

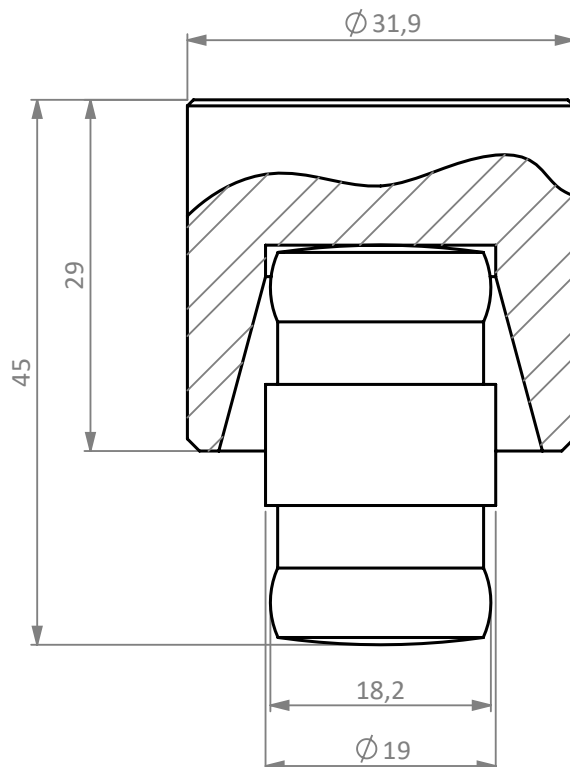


Isometric View

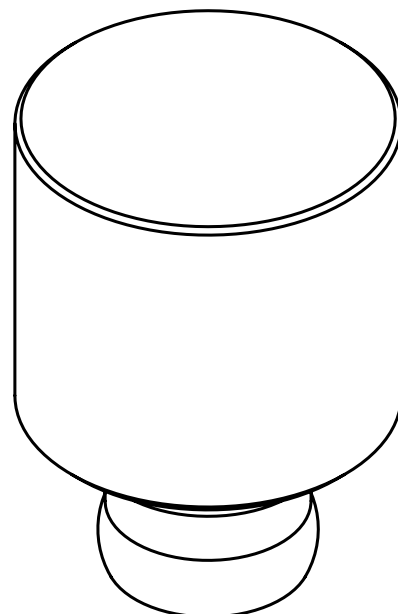


BM-24-402-Z2-2t/3.5t/5t

Side View



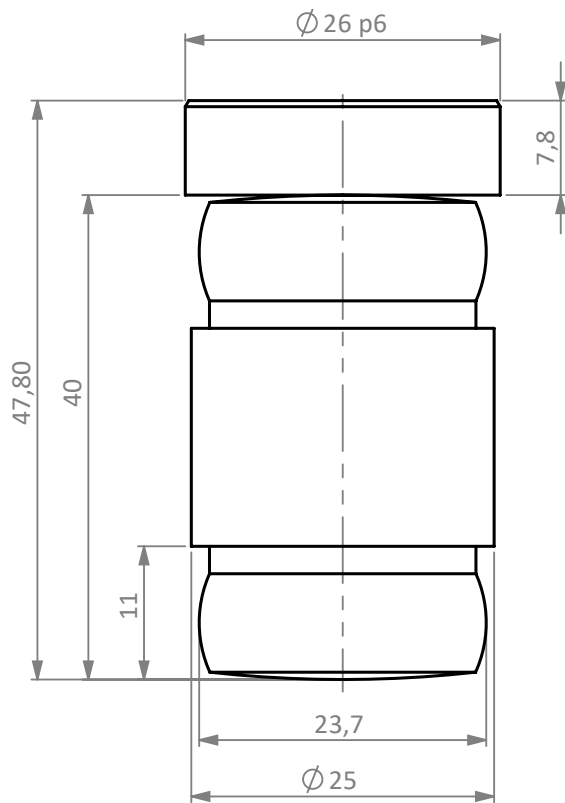
Isometric View



Type BM-24-40x-Zx Rocker Pin

BM-24-402-Z3-10t/13t

Side View



Isometric View

