

Short Description

- Self-aligning construction
- Easy load cell access
- Martensitic stainless steel (2CR13)
- Lift-off protection
- Stabilized by stay rod
- Can be used with load cell models: BM11

Available Models

Model	Capacity	Full Article Description	Part Number
BM-11-402	5 – 200kg	BM-11-402-5kg/200kg	20802020
	250 – 500kg	BM-11-402-250kg/500kg	20802030

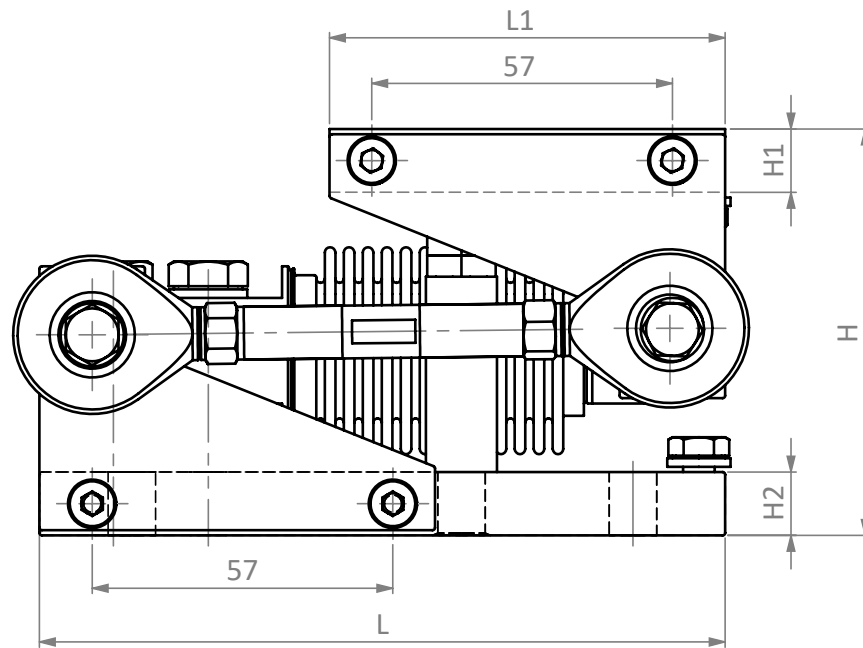
Technical Specifications BM-11-402

Capacity with load cell	5 – 200 kg	250 – 500kg
Maximum vertical force (down)	10 kN	30 kN
Maximum vertical force (up)	5 kN	10 kN
Maximum force parallel to stay rod	3 kN	10 kN
Maximum horizontal force	5 kN	15 kN
Maximum horizontal movement	+1 / -1 mm	+1 / -1 mm

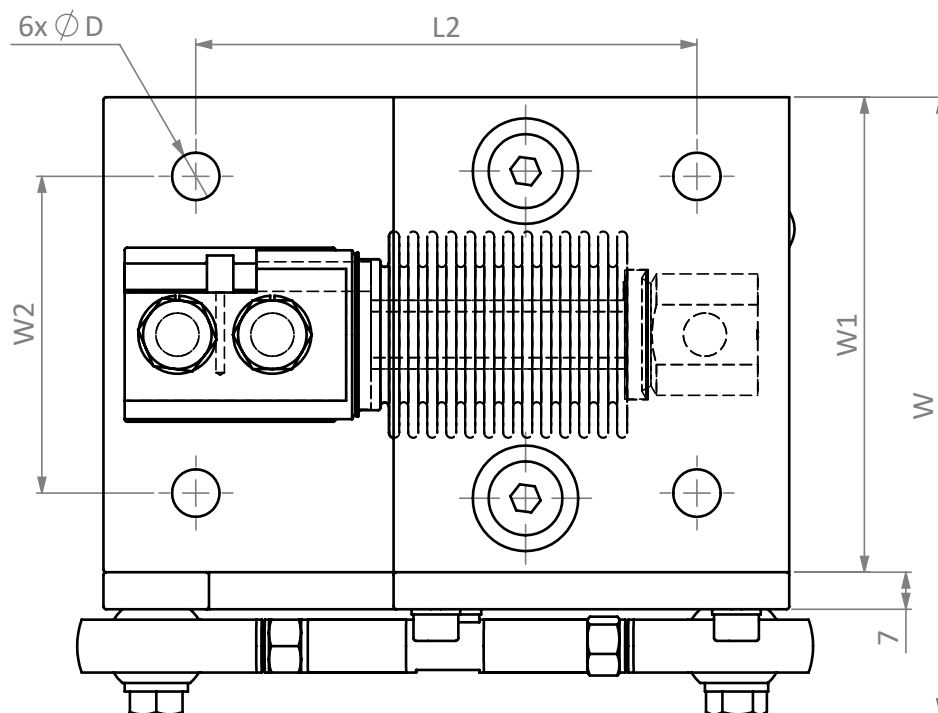
Note: expressed maximum forces refer to this mount, without load cell installed.

Dimensions in mm

Side View



Top View



Dimension Capacity	H	H1	H2	L	L1	L2	W	W1	W2	ØD
5 – 200kg	77	12	12	130	75	95	111	90	60	9
250 – 500kg	90	20	15	160	100	100	141	120	80	14

Specifications and dimensions are subject to change without notice and do not constitute any liability whatsoever.