



## Short Description



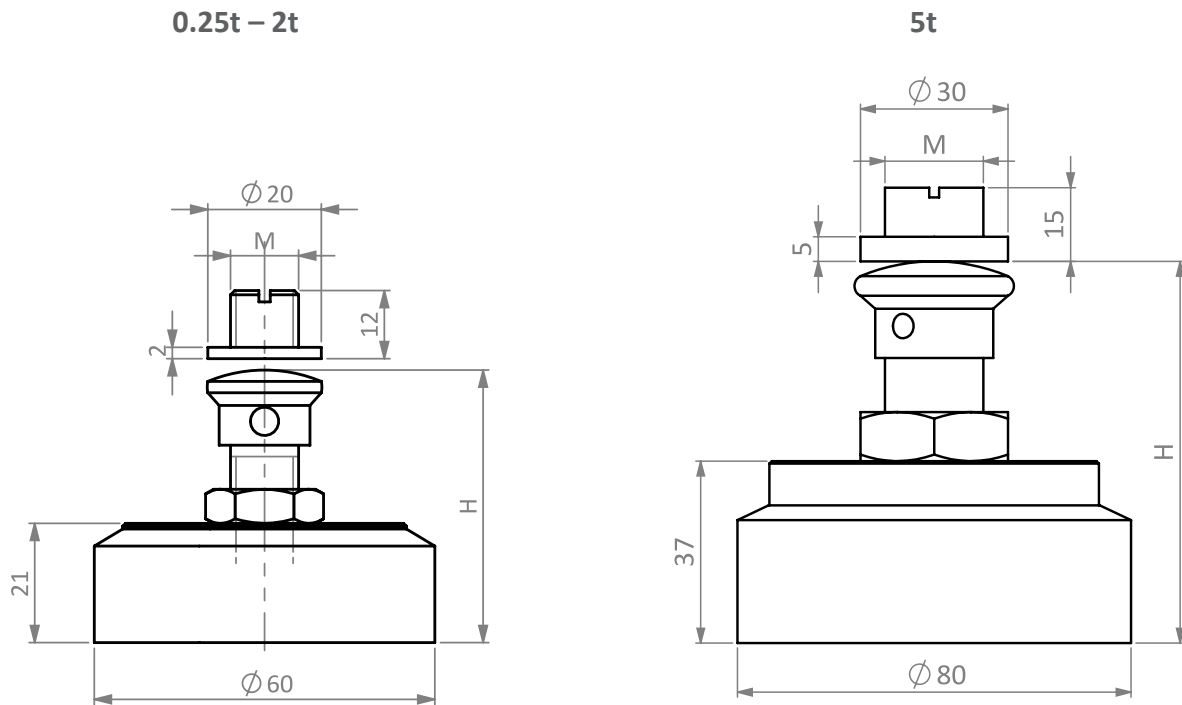
- Height adjustable foot
- Easy installation
- Stainless steel
- Can be used with load cell models: BM8H and H8H

## Available Models

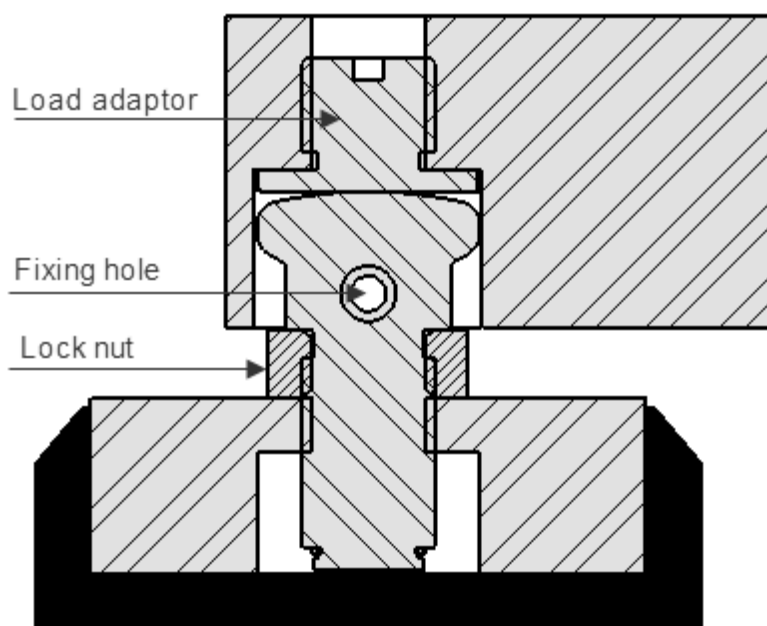
Model	Capacity	Full Article Description	Part Number
BJ-8-207	0.25t – 2t	BJ-8-207-0.25t/2t	20805100
	5t	BJ-8-207-5t	20805200

## Dimensions in mm

### Side View



Dimension type	Capacity	H	M
BJ-8-207	0.25t – 2t	41mm – 48mm	M12 x 1.75
	5t	67mm – 77mm	M20 x 2.5



### Mounting instructions:

Screw the load adaptor in the Load Cell element as shown. Take the BJ-8-207 foot and install as shown. Lock the foot with the supplied linchpin. Now you can adjust the height by rotating the rubber part. If desired height have been reached you can lock the foot with the lock nut by turning it against the foot.