



Short Description



- Stainless steel IP67 single point load cell
- Bending beam
- Suitable for belt, platform and other electronic weighing devices
- Maximum platform size:
 - for 100kg-200kg: 400 x 400 mm
 - for 250kg-500kg: 600 x 800 mm
 - for 750kg-2t: 1200 x 1200 mm



Test certificate no. TC7867 Revision 0
C of C no R60/2000-NL1-10.31

Available Models

Capacity	Accuracy	Full Article Description
100kg	C3 Excluded from OIML	B6F-C3-100kg-3B6
150kg	C3 Excluded from OIML	B6F-C3-150kg-3B6
200kg	C3 Excluded from OIML	B6F-C3-200kg-3B6
250kg	C3 Excluded from OIML	B6F-C3-250kg-3B6
500kg	C3	B6F-C3-500kg-3B6
750kg	C3	B6F-C3-750kg-3B6
1000kg	C3	B6F-C3-1000kg-3B6
2000kg	C3	B6F-C3-2000kg-3B6

Specifications and dimensions are subject to change without notice and do not constitute any liability whatsoever.

Technical Specifications B6F

Accuracy Class		C3	OIML R60 C3
Output Sensitivity (= FS)	mV/V	2.0 ± 0.2	
Maximum Capacity (E _{max})	kg	100, 150, 200, 250	500, 750, 1000, 2000
Max. Number of Load Cell Intervals	n _{LC}	3000	
Ratio of min. LC Verification Interval	Y = E _{max} / v _{min}	10000	12000
Combined Error	%FS	≤± 0.023	
Creep Error (30 minutes)	%FS	≤± 0.016	
Temperature Effect on Zero (ZTC)	%FS/10°C	≤± 0.015	
Temperature Effect on Sensitivity (STC)	%FS/10°C	≤± 0.011	
Zero Balance	%FS	≤± 1.5	
Safe Overload	%FS	150	
Ultimate Overload	%FS	300	
Eccentric Loading Error	%Ld/cm	± 0.002	
Excitation, Recommended Voltage	V	5 ~ 12	
Excitation, Maximum Voltage	V	18	
Input Resistance	Ω	384 ± 4	
Output Resistance	Ω	350 ± 3	
Insulation Resistance (50V)	MΩ	≥5000	
Compensated Temperature	°C	-10 ~ + 40	
Operating Temperature	°C	-35 ~ + 65	
Storage Temperature	°C	-40 ~ + 70	
Load Cell Weight	kg	100kg - 500kg: ~4.8	750kg - 2t: ~9.5 – 10.4
Element Material		Stainless Steel	
Ingress Protection (acc. to EN 60529)		IP67	
Recommended Torque on Fixation Bolts	Nm	M12: 100	M16:160
ATEX Classification (optional)		II1G Ex ia II1C T4	II1D Ex iaD 20 T73°C
			II3G Ex nL IIC T4

Wiring

Features:

Cable type: Shielded, 6 conductor cable , conductor AWG 24

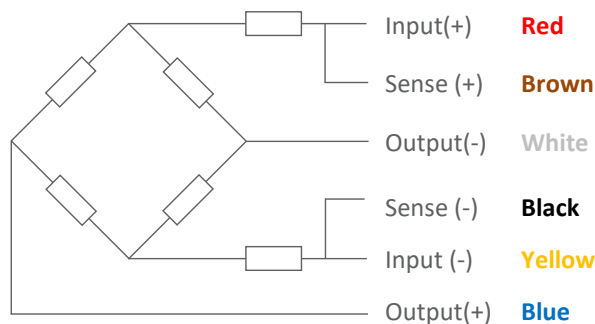
Cable diameter: Ø 6.2mm

Cable length: 3.0m

Cable jacket: PVC

Shield not connected to element

6-Wire Connection Diagram

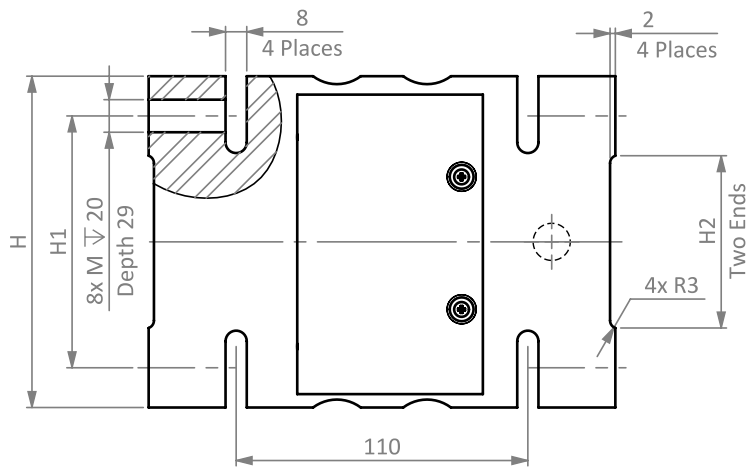


Specifications and dimensions are subject to change without notice and do not constitute any liability whatsoever.

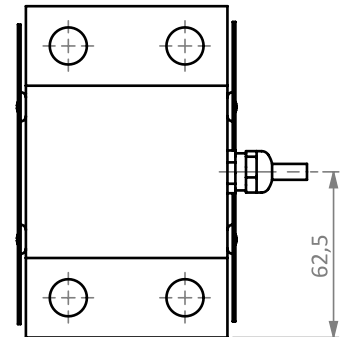
Type B6F Load Cell

Dimensions in mm

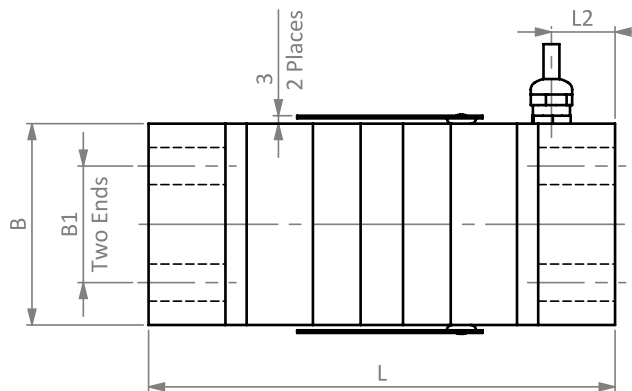
Front View



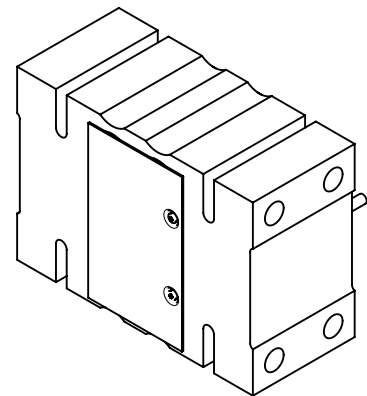
Side View



Top View



Isometric View



Dimension Capacity	B	B1	H	H1	H2	L	L1	L2	M
50-200kg	44	24	75	50	30	156	112	14	M12
250-500kg	60	36	95	70	30	146	110	11	M12
750kg-2000kg	76	46	125	95	65	176	110	24	M16