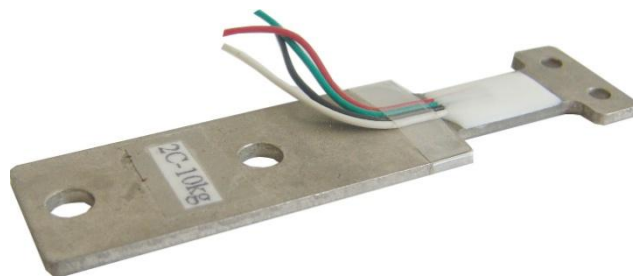


# Type 2C1 Load Cell



## Short description



- Aluminium bending miniature sensor
- High accuracy
- Used for personal scales

## Available models

Capacity	Accuracy	Full article description
10kg	0.07%	2C1-80*20*2.0-10kg

Specifications and dimensions are subject to change without notice and do not constitute any liability whatsoever.

# Type 2C1 Load Cell

## Detailed specifications 2C1

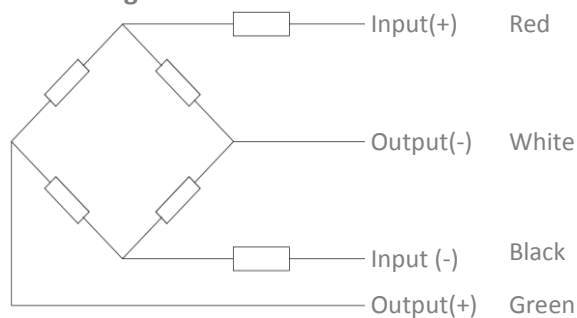
Accuracy class	of FS	0.07%
Output sensitivity ( = FS )	mV/V	0.6±0.1
Maximum capacity ( E <sub>max</sub> )	kg	10
Temperature effect on zero	%FS/10°C	±0.2
Temperature effect on Sensitivity	%FS/10°C	≤+0.2
Minimum dead load	of E <sub>max</sub>	0%
Safe overload	of E <sub>max</sub>	150 %
Ultimate overload	of E <sub>max</sub>	300%
Zero output	mV/V	± 1.0
Excitation, recommended voltage	V	2 ~ 5
Excitation maximum	V	6
Input resistance	Ω	350 ± 50
Output resistance	Ω	350 ± 50
Insulation resistance	MΩ	≥2000 ( at 50VDC )
Compensated temperature	°C	-10 ~+40
Operating temperature	°C	-10 ~ +40
Storage temperature	°C	-20 ~ +65
Element material		Aluminium
Creep	%FS/2 min	±0.07
Non-linearity	%FS	±0.05
Repeatability	%FS	±0.05
Hysteresis	%FS	±0.05

## Wiring

### Wiring:

4 separate conductor cables.  
Standard cables length: 0.25m.

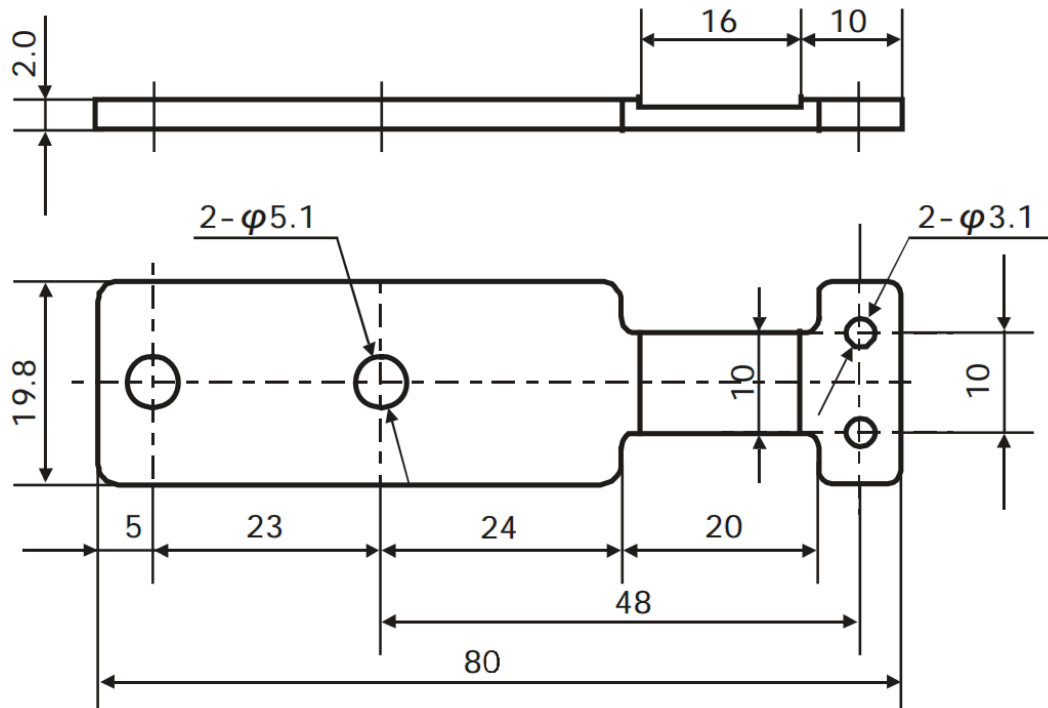
### 4-wire diagram



Specifications and dimensions are subject to change without notice and do not constitute any liability whatsoever.

# Type 2C1 Load Cell

Dimensions in mm



Specifications and dimensions are subject to change without notice and do not constitute any liability whatsoever.