



Short description



- Stainless steel bending miniature sensor
- High accuracy
- Used for fishing scales

Available models

Capacity	Accuracy	Full article description
15Lb	0.1%	2A-S-15Lb
50Lb	0.1%	2A-S-50Lb

Specifications and dimensions are subject to change without notice and do not constitute any liability whatsoever.

Type 2A Load Cell

Detailed specifications 2A

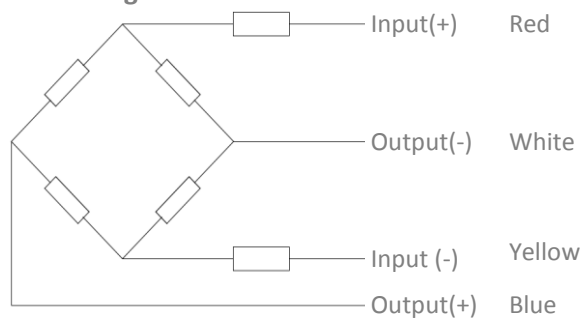
Accuracy class	of FS	0.1%
Output sensitivity (= FS)	mV/V	1.5±0.15
Maximum capacity (E _{max})	Lb	15, 50
Temperature effect on zero	%FS/10°C	±0.3
Temperature effect on Sensitivity	%FS/10°C	≤+0.3
Minimum dead load	of E _{max}	0%
Safe overload	of E _{max}	150 %
Ultimate overload	of E _{max}	300%
Zero output	mV/V	± 1.0
Excitation, recommended voltage	V	2 ~ 5
Excitation maximum	V	6
Input resistance	Ω	350 ± 50
Output resistance	Ω	350 ± 50
Insulation resistance	MΩ	≥2000 (at 50VDC)
Compensated temperature	°C	-10 ~+40
Operating temperature	°C	-10 ~ +40
Storage temperature	°C	-20 ~ +65
Element material		Stainless steel
Creep	%FS/5 min	±0.1
Non-linearity	%FS	±0.1
Repeatability	%FS	±0.1
Hysteresis	%FS	±0.1

Wiring

Wiring:

4 separate conductor cables.
Standard cables length: 0.25m.

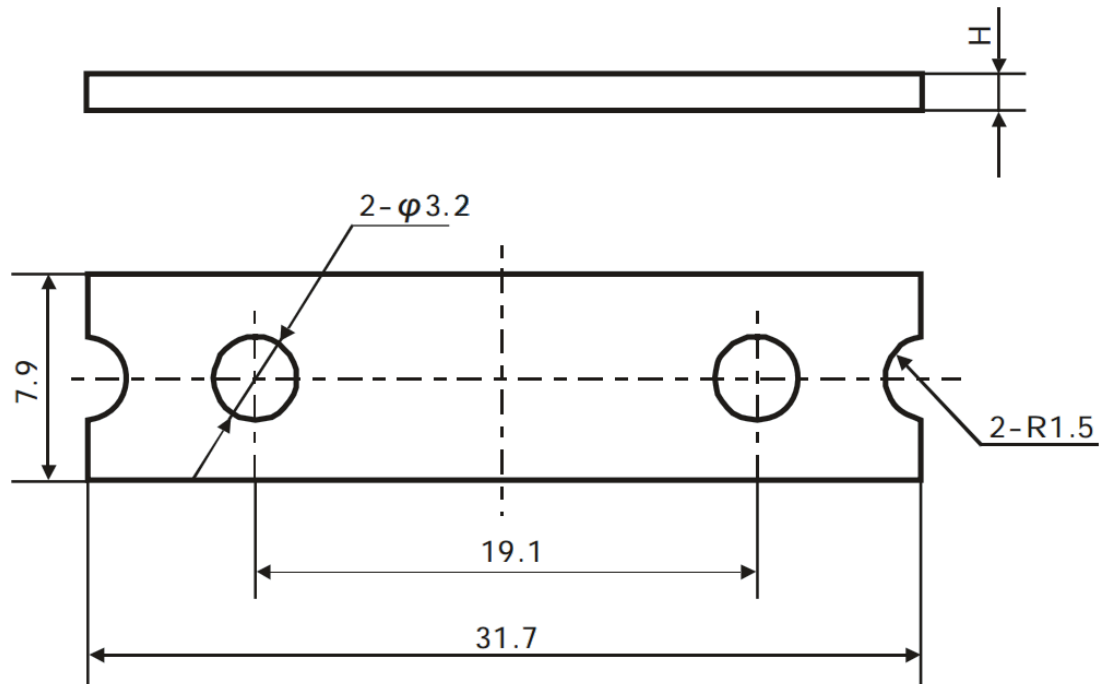
4-wire diagram



Specifications and dimensions are subject to change without notice and do not constitute any liability whatsoever.

Type 2A Load Cell

Dimensions in mm



Dimension Capacity	H
15Lb	1.0
50Lb	1.8

Specifications and dimensions are subject to change without notice and do not constitute any liability whatsoever.